



AKIS

Geleceğin

Akışını Değiştir!

2026





Engineered to Perfection



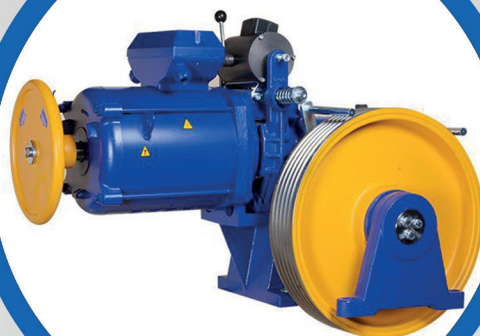
GEARBOX MACHINES

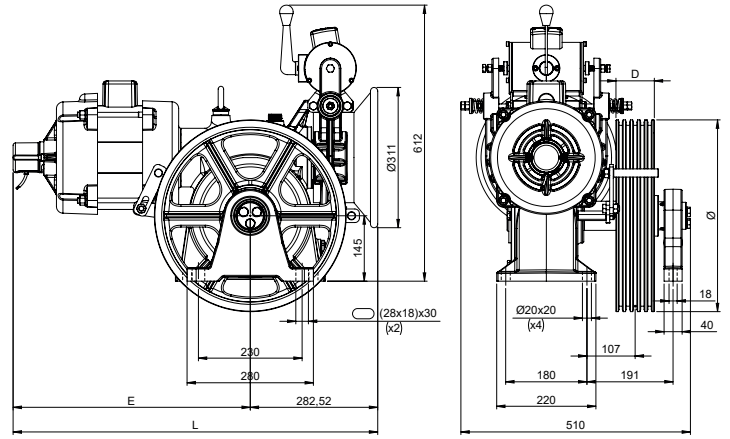


Speed: 0,27-3,20 m/s

Capacity: 100-9.750 kg

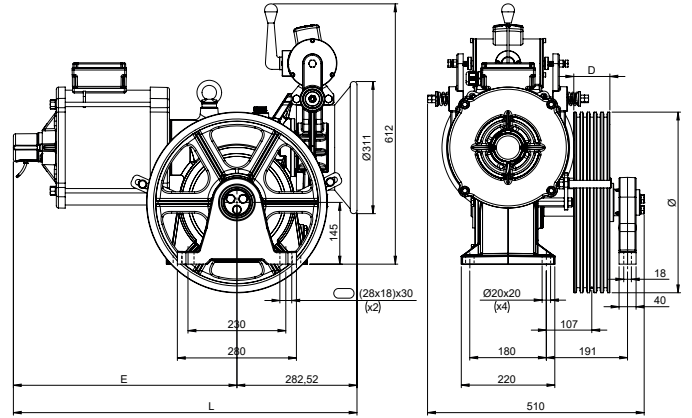
Travel Distance: 11-51 meter





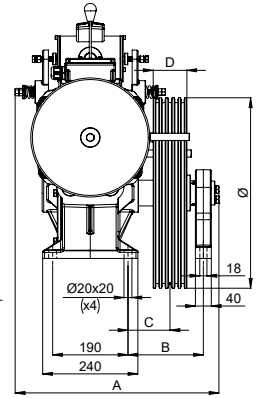
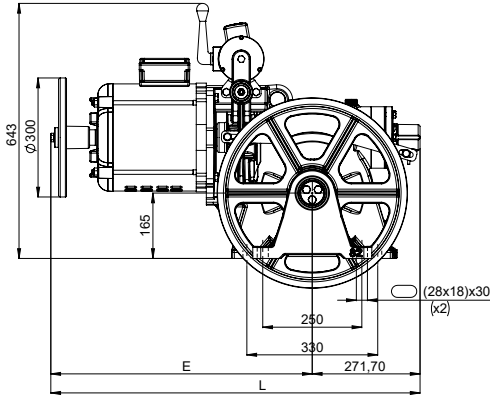
Motor Tipi / Motor Type	Ø	D	L	E
5,5 kW	425x5x10	85	788,2	505,7
	520x5x10	90		
7,5 kW	425x5x10	85	808,2	525,7
	520x5x10	90		

Askı Tipi 1:1 Ropping Type 1:1		Seyir Mesafesi 21-30 Metre Travel Distance 21-30 Meter			Statik Yük 3500 Kg Static Load 3500 Kg		240St/h 240St/h	
Ürün Product	Hız Speed [m/s]	Kapasite Duty Load [kg]	Güç Power [kW]	Kasnak Sheave [mm]	Akım Current [A]	Tahvil Oranı Ratio	Seyir Mesafesi Travel Distance [m]	Makine Ağırlığı Machine Weight [kg]
MUGEN MF 1 Pro-E	1,00	400	5,5 kW	425x5x10	14,0	67/2	30	160
		500	7,5 kW		18,0			170
		630	5,5 kW		14,0		21	160
		800	7,5 kW		18,0			170



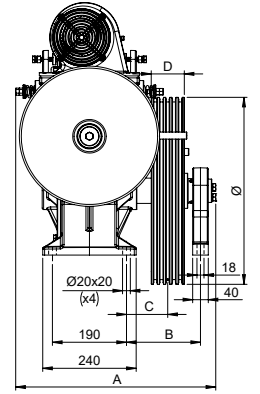
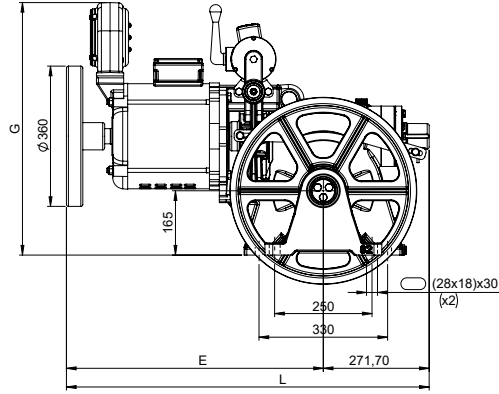
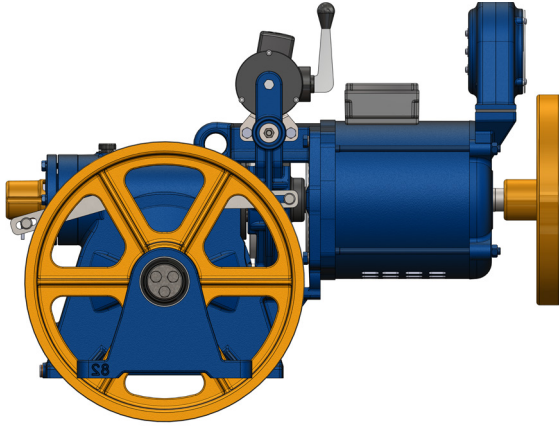
Motor Tipi / Motor Type	Ø	D	L	E
5,5 kW	425x5x10	85	788,2	505,7
	520x5x10	90		
7,5 kW	425x5x10	85	808,2	525,7
	520x5x10	90		

Askı Tipi 1:1 Ropping Type 1:1		Seyir Mesafesi 21-30 Metre Travel Distance 21-30 Meter			Statik Yük 3500 Kg Static Load 3500 Kg		240St/h 240St/h	
Ürün Product	Hız Speed [m/s]	Kapasite Duty Load [kg]	Güç Power [kW]	Kasnak Sheave [mm]	Akım Current [A]	Tahvil Oranı Ratio	Seyir Mesafesi Travel Distance [m]	Makine Ağırlığı Machine Weight [kg]
MUGEN MF 1	1,0	400	5,5 kW	425x5x10	13	67/2	30	175
		500	7,5 kW		17			190
		630	5,5 kW		13		21	175
		800	7,5 kW		17			190



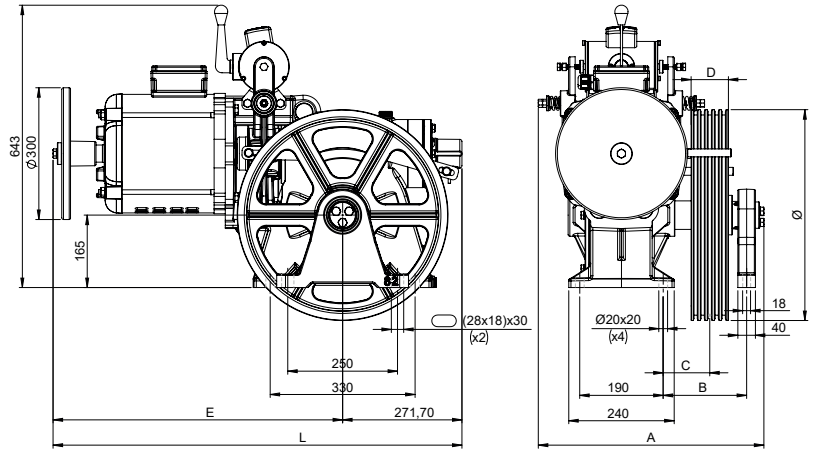
Motor Tipi	Ø	D	B	C	L	E	A
5,5 kW	400x5x10	85	190	106	911	640	513,5
	480x5x10	85					
	550x5x10	90					
7,5 kW	400x6x10	106					
	480x5x10	85					
	480x6x10	106					
	550x5x10	90					

Askı Tipi 1:1 Ropping Type 1:1		Seyir Mesafesi 21-30 Metre Travel Distance 21-30 Meter			Statik Yük 3500 Kg Static Load 3500 Kg		240St/h 240St/h	
Ürün Product	Hız Speed [m/s]	Kapasite Duty Load [kg]	Güç Power [kW]	Kasnak Sheave [mm]	Akım Current [A]	Tahvil Oranı Ratio	Seyir Mesafesi Travel Distance [m]	Makine Ağırlığı Machine Weight [kg]
MUGEN MF2	0,63	630	5,5 kW	400x5x10	14,0	47/1	30	210
		800	7,5 kW	400x6x10	18,0		21	225
		800	5,5 kW	400x5x10	14,0		30	210
		1000	7,5 kW	400x6x10	18,0		21	225
	0,71	560	5,5 kW	480x5x10	14,0	53/1	30	225
		750	7,5 kW	480x6x10	18,0		21	230
		800	5,5 kW	480x5x10	14,0		30	225
		1000	7,5 kW	480x6x10	18,0		21	230
	1,00	400	5,5 kW	480x5x10	14,0	38/1	30	225
		500	7,5 kW		18,0		21	230
		630	5,5 kW		14,0		30	225
		800	7,5 kW		18,0		21	230



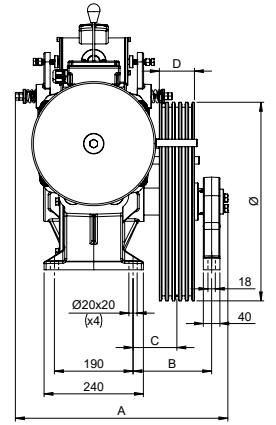
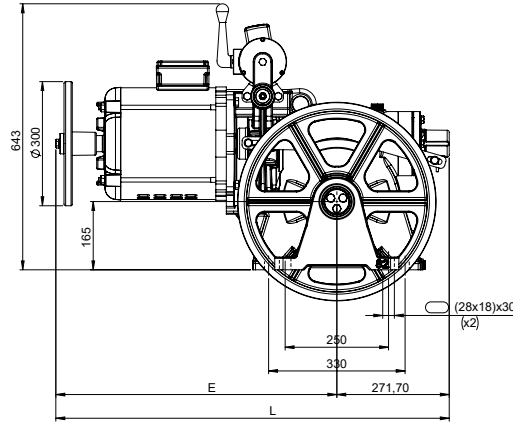
Motor Tipi / Motor Type	Ø	D	B	C	L	E	A	G
3,5 HP	480x4x10	85	190	106	871	600	513,5	648
5,5 HP	400x5x10				921	650		
	480x5x10	931			660			
6,2 HP	400x5x10					951		
	480x5x10							
7,5 HP	400x6x10	106			976	705		
	480x5x10							
8,2 HP	400x6x10	106	967	696	543,5	700		
	480x5x10							
10,5 HP	480x5x10	106	220	136	967	696	543,5	700
	480x6x10							

Aski Tipi 1:1		Seyir Mesafesi 21 Metre			Statik Yük 3500 Kg		240St/h	
Ropping Type 1:1		Travel Distance 21 Meter			Static Load 3500 Kg		240St/h	
Ürün	Hız	Kapasite	Güç	Kasnak	Akım	Tahvil Oranı	Seyir Mesafesi	Makine Ağırlığı
Product	Speed	Duty Load	Power	Sheave	Current	Ratio	Travel Distance	Machine Weight
	[m/s]	[kg]	[kW]	[mm]	[A]		[m]	[kg]
MUGEN M2	0,63 TEK HIZ	320	3,5 HP	480x4x10	8,0	58/2	21	220
	1,00-0,25	480	5,5 HP	480x5x10	11,0 / 6,5	38/1		225
		550	6,2 HP		11,5 / 7,5			250
		630	7,5 HP		14,0 / 9,0			260
		720	8,2 HP		15,0 / 10,0			270
		880	10,5 HP		18,5 / 12,0			290
	0,80-0,20	560	5,5 HP	550x5x10	11,0 / 6,5	55/1		210
		0,71-0,17	630	5,5 HP	480x5x10	11,0 / 6,5		53/1
	700		6,2 HP	11,5 / 7,5		250		
	800		7,5 HP	14,0 / 9,0		260		
	900		8,2 HP	15,0 / 10,0		270		
	0,63-0,15	1000	10,5 HP	480x6x10	18,5 / 12,0	47/1		290
		700	5,5 HP	400x5x10	11,0 / 6,5			210
		800	6,2 HP		11,5 / 7,5			245
		900	7,5 HP	400x6x10	14,0 / 9,0			255
	1000	8,2 HP	15,0 / 10,0		265			



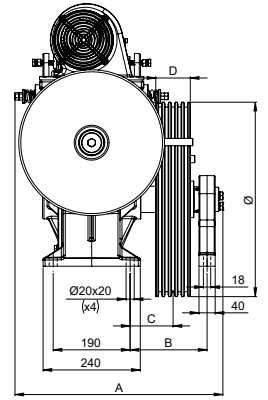
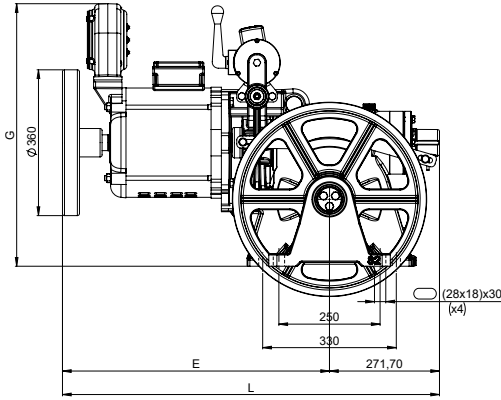
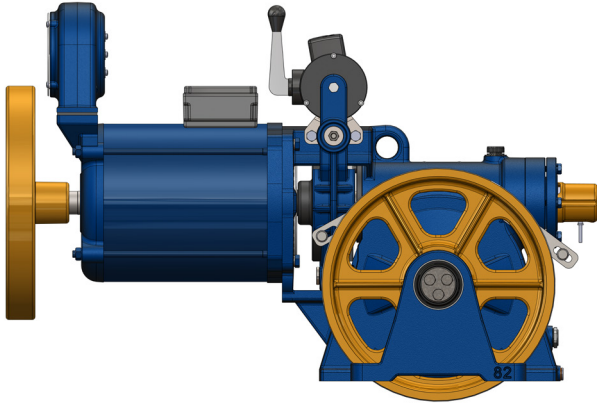
Motor Tipi / Motor Type	Ø	D	B	C	L	E	A	
5,5 kW	400x5x10	85	190	106	911	640	513,5	
	480x5x10	85						
	550x5x10	90						
7,5 kW	400x6x10	106			931	660		513,5
	480x5x10	85						
	480x6x10	106						
	550x5x10	90						

Askı Tipi 1:1 Ropping Type 1:1		Seyir Mesafesi 33 Metre Travel Distance 33 Meter			Statik Yük 3500 Kg Static Load 3500 Kg		240St/h 240St/h	
Ürün Product	Hız Speed [m/s]	Kapasite Duty Load [kg]	Güç Power [kW]	Kasnak Sheave [mm]	Akım Current [A]	Tahvil Oranı Ratio	Seyir Mesafesi Travel Distance [m]	Makine Ağırlığı Machine Weight [kg]
VOLPI VF2	0,63	800	5,5 kW	400x5x10	12,5	47/1	33	225
		1000	7,5 kW	400x6x10	16,5			235
	0,71	800	5,5 kW	480x5x10	12,5	53/1		225
		1000	7,5 kW	480x6x10	16,5			235
	1,00	630	5,5 kW	480x5x10	12,5	38/1		225
		800	7,5 kW		16,5			235



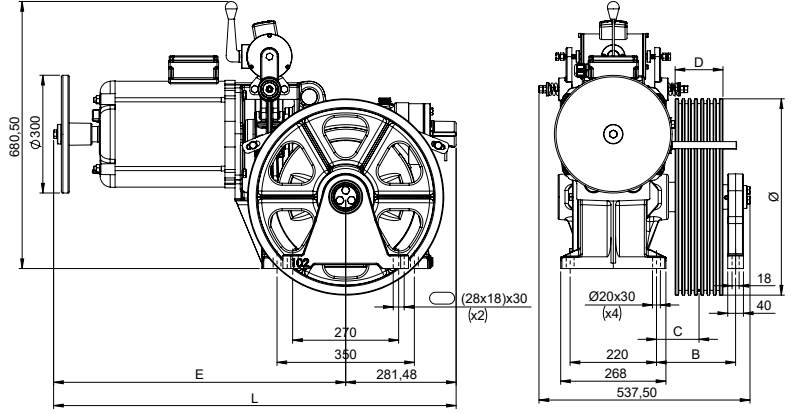
Motor Tipi / Motor Type	Ø	D	B	C	L	E	A
4,0 kW	400x5x10	85	190	106	901	630	513,5
	480x5x10						
	550x5x10						
5,5 kW	400x5x10	85					
	480x5x10						
	550x5x10	90					
7,5 kW	400x6x10	106			951	680	
	480x5x10	85					
	480x6x10	106					
	550x5x10	90					

Askı Tipi 1:1 Ropping Type 1:1		Seyir Mesafesi 51 Metre Travel Distance 51 Meter			Statik Yük 3500 Kg Static Load 3500 Kg		240St/h 240St/h	
Ürün Product	Hız Speed [m/s]	Kapasite Duty Load [kg]	Güç Power [kW]	Kasnak Sheave [mm]	Akım Current [A]	Tahvil Oranı Ratio	Seyir Mesafesi Travel Distance [m]	Makine Ağırlığı Machine Weight [kg]
VOLPI VF2X	0,63	700	4,0 kW	400x5x10	9,5	47/1	51	220
		800	5,5 kW		13,0			230
		1000	7,5 kW		16,5			245
	0,71	630	4,0 kW	480x5x10	9,5	52/1		225
		800	5,5 kW		13,0			235
		1000	7,5 kW		16,5			250
	1,00	450	4,0 kW	480x5x10	9,5	38/1		225
		630	5,5 kW		13,0			235
		800	7,5 kW		16,5			250
	1,60	320	4,0 kW	480x4x10	9,5	48/2		225
		450	5,5 kW		13,0			235
		630	7,5 kW		16,5			250



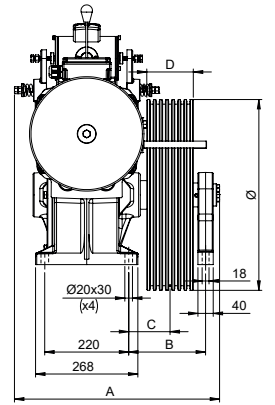
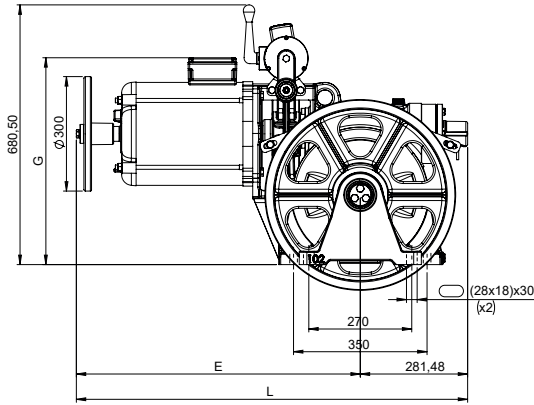
Motor Tipi / Motor Type	Ø	D	B	C	L	E	A	G
3,5 HP	480x4x10	85	190	106	901	630	513,5	648
5,5 HP	400x5x10				921	650		
	480x5x10	931						
6,2 HP	550x5x10				90	951		
	400x5x10	976						
7,5 HP	480x5x10				106	967		
	550x5x10	90						
8,2 HP	400x6x10				85	220		
	480x5x10	90						
10,5 HP	550x5x10		106	90	90	967	696	543,5
	480x6x10	90						

Askı Tipi 1:1 Ropping Type 1:1		Seyir Mesafesi 33 Metre Travel Distance 33 Meter			Statik Yük 3500 Kg Static Load 3500 Kg		240St/h 240St/h	
Ürün Product	Hız Speed [m/s]	Kapasite Duty Load [kg]	Güç Power [kW]	Kasnak Sheave [mm]	Akım Current [A]	Tahvil Oranı Ratio	Seyir Mesafesi Travel Distance [m]	Makine Ağırlığı Machine Weight [kg]
VOLPI V2X	0,63 TEK HIZ	320	3,5 HP	480x4x10	8,0	58/2	33	225
		480	5,5 HP	480x5x10	11,0 / 6,5	38/1		245
	550	6,2 HP	11,5 / 7,5		260			
	630	7,5 HP	14,0 / 9,0		270			
	720	8,2 HP	15,0 / 10,0		280			
	880	10,5 HP	18,5 / 12,0		300			
	0,80-0,20	560	5,5 HP		550x5x10			11,0 / 6,5
		630	6,2 HP	11,5 / 7,5		265		
		720	7,5 HP	14,0 / 9,0		275		
		800	8,2 HP	15,0 / 10,0		285		
	0,71-0,17	630	5,5 HP	480x5x10	11,0 / 6,5	52/1		245
		700	6,2 HP		11,5 / 7,5			260
		800	7,5 HP		14,0 / 9,0			270
		900	8,2 HP		15,0 / 10,0			280
	0,63-0,15	1000	10,5 HP	480x6x10	18,5 / 12,0	47/1		300
		700	5,5 HP	400x5x10	11,0 / 6,5			255
		800	6,2 HP		11,5 / 7,5			265
		900	7,5 HP	400x6x10	14,0 / 9,0			275
	1000	8,2 HP	15,0 / 10,0		280			



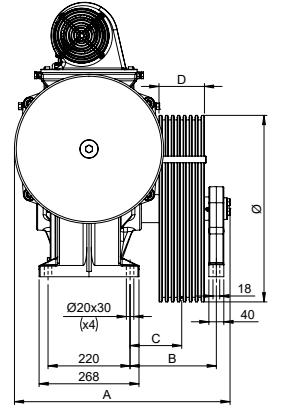
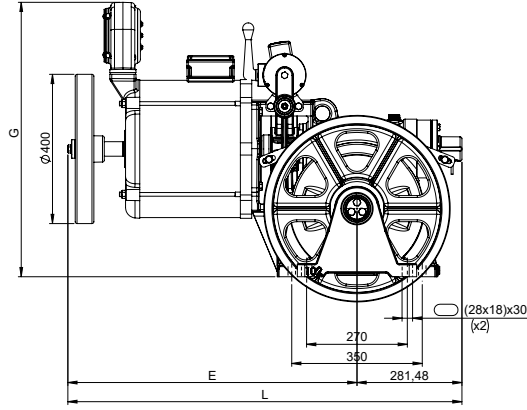
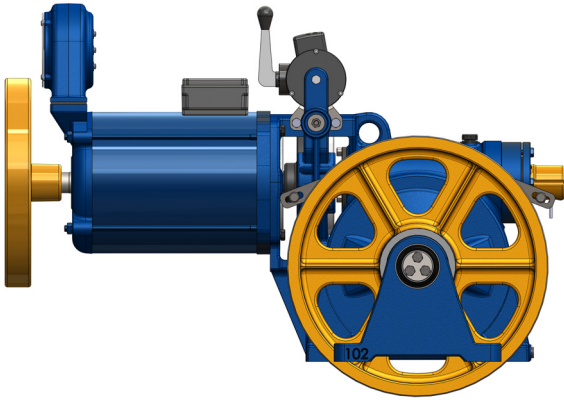
Motor Tipi / Motor Type	Ø	D	B	C	L	E
5,5 kW	500x5x10	90	201,5	108,5	926	644
	620x5x10					
7,5 kW	500x5x10	106			976	694
	620x5x10					
9,0 kW	500x6x10	122			1001	719
	620x6x10					
11,0 kW	500x7x10	106			1026	744
	620x6x10					
15,0 kW	500x7x10	106				
	620x6x10					

Askı Tipi 1:1 Ropping Type 1:1		Seyir Mesafesi 33 Metre Travel Distance 33 Meter			Statik Yük 4500 Kg Static Load 4500 Kg		240St/h 240St/h				
Ürün Product	Hız Speed [m/s]	Kapasite Duty Load [kg]	Güç Power [kW]	Kasnak Sheave [mm]	Akım Current [A]	Tahvil Oranı Ratio	Seyir Mesafesi Travel Distance [m]	Makine Ağırlığı Machine Weight [kg]			
VOLPI VF3	1,00	1125	9,0 kW	500x6x10	19,5	39/1	33	295			
		1440	11,0 kW	500x7x10	24,5			315			
		1500	15,0 kW		31,0			350			
	1,20	600	5,5 kW	620x5x10	12,5			285			
		800	7,5 kW		16,5			295			
		960	9,0 kW		620x6x10			19,5	305		
		1125	11,0 kW					24,5	325		
	1,60	1440	15,0 kW	500x5x10	31,0			365			
		500	5,5 kW		500x6x10			12,5	275		
		680	7,5 kW					16,5	285		
		800	9,0 kW			19,5		295			
		1000	11,0 kW			24,5		315			
	1300	15,0 kW	31,0	350							
	2,00	2,40	400	5,5 kW	620x5x10	12,5		49/2	285		
			550	7,5 kW		16,5			295		
			630	9,0 kW		620x5x10			19,5	305	
			800	11,0 kW					24,5	325	
			1050	15,0 kW		31,0			365		
	3,20	3,20	320	5,5 kW	500x5x10	12,5			46/3	275	
			400	7,5 kW		16,5				285	
			525	9,0 kW		500x6x10				19,5	295
			640	11,0 kW						24,5	315
			880	15,0 kW		31,0				350	
	3,20	3,20	320	7,5 kW	620x5x10	16,5				295	
			450	9,0 kW		19,5				305	
			525	11,0 kW		24,5				325	
			720	15,0 kW		31,0				365	



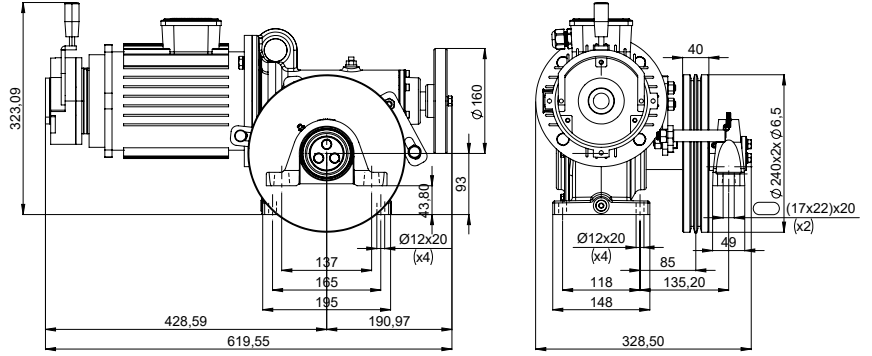
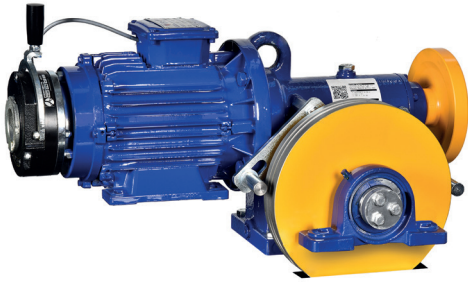
Motor Tipi / Motor Type	Ø	D	B	C	L	E	A	G
5,5 kW	500x5x10	90	201,5	108,5	956	674	537,5	542
	620x5x10							
7,5 kW	500x5x10							
	620x5x10							
9,0 kW	500x6x10				106			
	620x6x10							
11,0 kW	500x7x10	122						
	620x6x10	106						
15,0 kW	500x7x10	122	231,5	138,5	1022	740	567,5	593
	620x6x10	106						

Askı Tipi 1:1 Ropping Type 1:1		Seyir Mesafesi 51 Metre Travel Distance 51 Meter			Statik Yük 4500 Kg Static Load 4500 Kg		240St/h 240St/h	
Ürün Product	Hız Speed [m/s]	Kapasite Duty Load [kg]	Güç Power [kW]	Kasnak Sheave [mm]	Akım Current [A]	Tahvil Oranı Ratio	Seyir Mesafesi Travel Distance [m]	Makine Ağırlığı Machine Weight [kg]
VOLPI VF3X	1,00	1125	9,0 kW	500x6x10	20,5	39/1	51	315
		1440	11,0 kW	500x7x10	24,0			350
		1500	15,0 kW		31,0			355
	1,20	600	5,5 kW	620x5x10	13,0			295
		800	7,5 kW		16,5			305
		960	9,0 kW	620x6x10	20,5			325
		1125	11,0 kW		24,0			365
	1400	15,0 kW	31,0	370				
	1,60	800	9,0 kW	500x5x10	20,5			49/2
		1000	11,0 kW	500x6x10	24,0	350		
		1300	15,0 kW		31,0	355		
	2,00	400	5,5 kW	620x5x10	13,0	295		
		550	7,5 kW		16,5	305		
		630	9,0 kW	620x6x10	20,5	325		
		800	11,0 kW		24,0	365		
		1050	15,0 kW		31,0	370		
	2,40	320	5,5 kW	500x5x10	13,0	46/3		
		400	7,5 kW		16,5			295
		525	9,0 kW		20,5			315
		640	11,0 kW		24,0			350
		880	15,0 kW		31,0			355
	3,20	320	7,5 kW	620x5x10	16,5			305
		450	9,0 kW		20,5			325
		525	11,0 kW		24,0			365
720		15,0 kW	31,0		370			

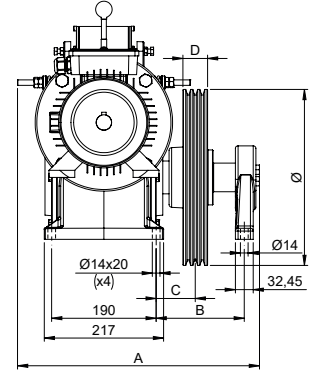
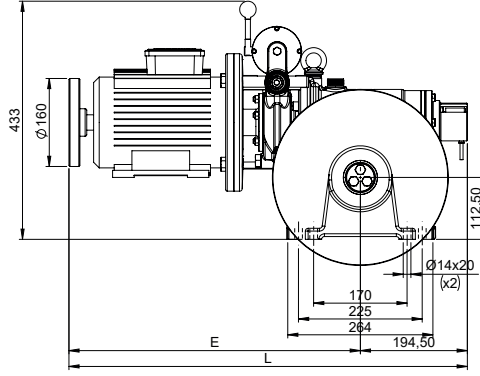


Motor Tipi / Motor Type	Ø	D	B	C	L	E	A	G
10,5 HP	500x6x10	106	201,5	108,5	1061	805	537,5	685
12,5 HP					1057	776		
14,0 HP					1072	791		
16,0 HP	500x7x10	122	231,5	138,5	1087	806	578	736

Askı Tipi 1:1 Ropping Type 1:1		Seyir Mesafesi 33 Metre Travel Distance 33 Meter			Statik Yük 4500 Kg Static Load 4500 Kg		240St/h 240St/h	
Ürün Product	Hız Speed [m/s]	Kapasite Duty Load [kg]	Güç Power [kW]	Kasnak Sheave [mm]	Akım Current [A]	Tahvil Oranı Ratio	Seyir Mesafesi Travel Distance [m]	Makine Ağırlığı Machine Weight [kg]
VOLPI V3X	1,00-0,25	1000	10,5 HP	500x6x10	18,5 / 12,0	39/1	33	375
		1200	12,5 HP		20,5 / 15,0			385
		1350	14,0 HP		22,5 / 16,0			395
		1400	16,0 HP	25,0 / 17,0	405			

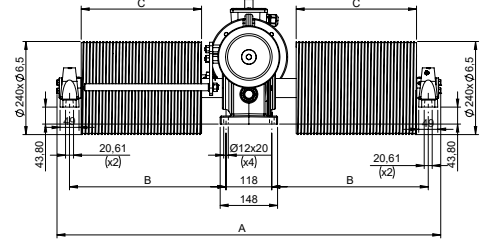
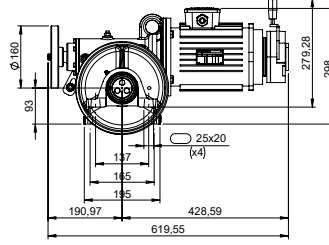
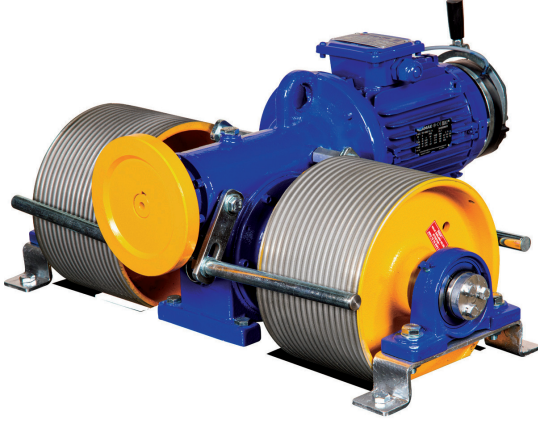


Askı Tipi 1:1 Ropping Type 1:1		Seyir Mesafesi 33 Metre Travel Distance 33 Meter			Statik Yük 1500 Kg Static Load 1500 Kg		240St/h 240St/h	
Ürün Product	Hız Speed [m/s]	Kapasite Duty Load [kg]	Güç Power [kW]	Kasnak Sheave [mm]	Akım Current [A]	Tahvil Oranı Ratio	Seyir Mesafesi Travel Distance [m]	Makine Ağırlığı Machine Weight [kg]
Z40	0,27	150	1,5 HP	240x2x6,5	2,9	41/1	33	50



Motor Tipi / Motor Type	Ø	D	B	C	L	E	A
4,0 HP	320x3x8	45	160	70	724,5	530	440
4,0 kW	400x4x10	75			739,5	545	
4,0 kW	400x4x10	75					

Askı Tipi 1:1 Ropping Type 1:1		Seyir Mesafesi 33 Metre Travel Distance 33 Meter			Statik Yük 2500 Kg Static Load 2500 Kg		240St/h 240St/h	
Ürün Product	Hız Speed [m/s]	Kapasite Duty Load [kg]	Güç Power [kW]	Kasnak Sheave [mm]	Akım Current [A]	Tahvil Oranı Ratio	Seyir Mesafesi Travel Distance [m]	Makine Ağırlığı Machine Weight [kg]
ZF60	1,00	320	4,0 kW	400x4x10	8,4	62/2	33	130
Z60	0,58	400	4,0 HP		320x3x8	6,7		54/1
	0,46	500		120				

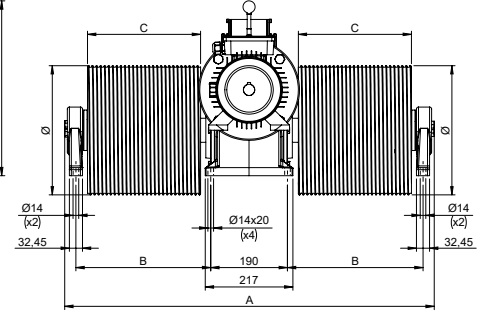
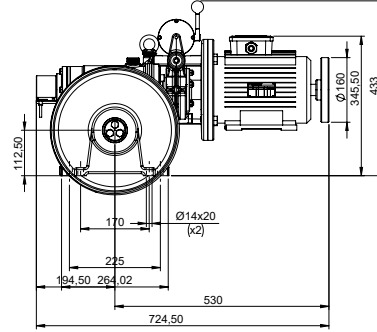
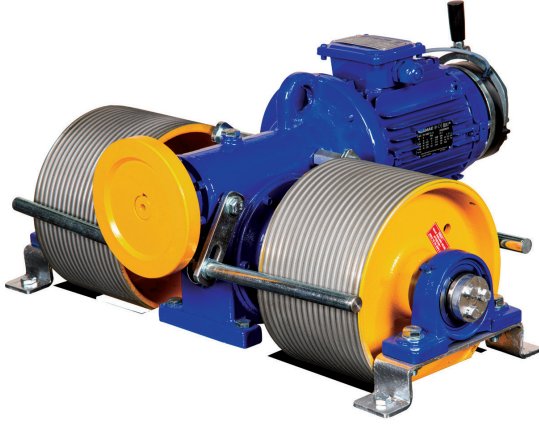


Motor Tipi / Motor Type	Ø	C	A	B
1,1 Kw 1,5 HP	Ø240xØ6,5 13M. Tek Tambur	155	435	206
	Ø240xØ6,5 13M. Çift Tambur	155	668	206
	Ø240xØ6,5 26M. Tek Tambur	310	595	403
	Ø240xØ6,5 26M. Çift Tambur	310	989	403

Askı Tipi 1:1 Ropping Type 1:1		Seyir Mesafesi 13-26 Metre Travel Distance 13-26 Meter			Statik Yük 1500 Kg Static Load 1500 Kg		240St/h 240St/h	
Ürün Product	Hız Speed [m/s]	Kapasite Duty Load [kg]	Güç Power [kW]	Kasnak Sheave [mm]	Akım Current [A]	Tahvil Oran Ratio	Seyir Mesafesi Travel Distance [m]	Makine Ağırlığı Machine Weight [kg]
Z40	0,31	100	1,1 Kw 1,5 HP	240x6,5 Tek Tambur	2,9	41/1	13	55
							26	60
				240x6,5 Çift Tambur			13	60
							26	65

*Kapasite kabin dahil olarak verilmiştir.

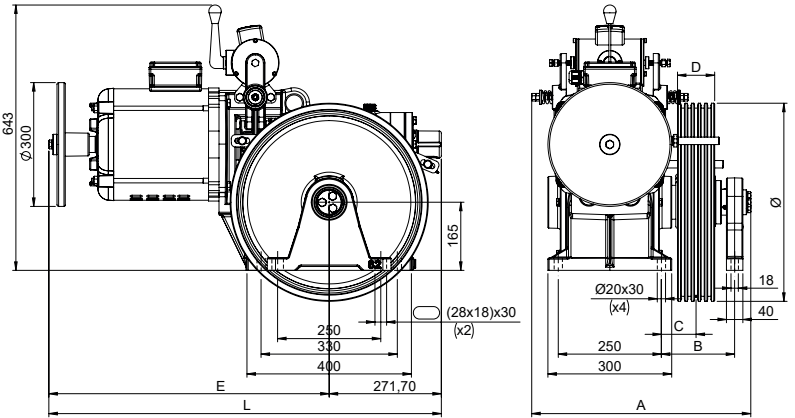
*Capacity is given including the cabin.



Motor Tipi / Motor Type	Ø	C	A	B
"3,0 kW / 4,0 HP"	Ø260xØ6,5 13M. Tek Tambur	150	454	206
	Ø260xØ6,5 13M. Çift Tambur		657	
	Ø260xØ6,5 26M. Tek Tambur	280	582	334
	Ø260xØ6,5 26M. Çift Tambur		915	
	Ø320xØ8 13M. Tek Tambur	150	454	206
	Ø320xØ8 13M. Çift Tambur		657	
	Ø320xØ8 26M. Tek Tambur	280	582	334
	Ø320xØ8 26M. Çift Tambur		915	

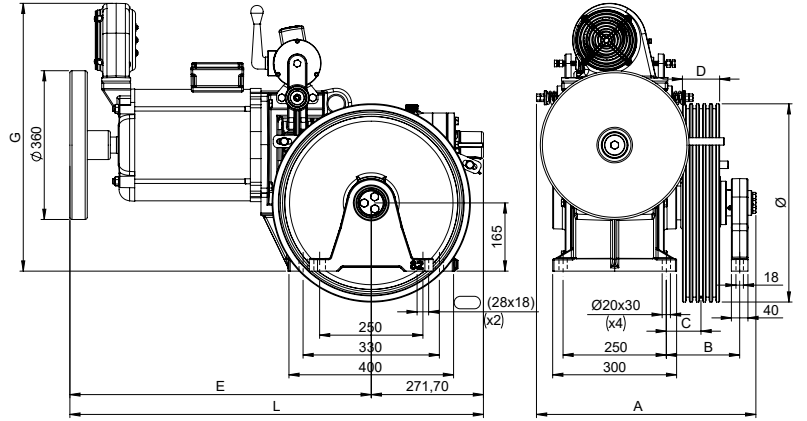
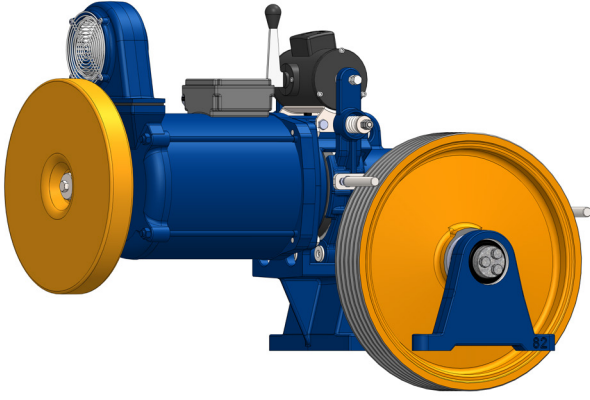
Askı Tipi 1:1 Ropping Type 1:1		Seyir Mesafesi 13-26 Metre Travel Distance 13-26 Meter			Statik Yük 2500 Kg Static Load 2500 Kg		240St/h 240St/h	
Ürün Product	Hız Speed [m/s]	Kapasite Duty Load [kg]	Güç Power [kW]	Kasnak Sheave [mm]	Akım Current [A]	Tahvil Oranı Ratio	Seyir Mesafesi Travel Distance [m]	Makine Ağırlığı Machine Weight [kg]
Z60	0,38	350	3,0 kW 4,0 HP	260x6,5 Tek Tambur	6,7	54/1	13	120
				260x6,5 Çift Tambur			26	130
				320x8 Tek Tambur			13	135
				320x8 Çift Tambur			26	145
	0,46	250		320x8 Tek Tambur	6,7	54/1	13	125
				320x8 Çift Tambur			26	135
				320x8 Tek Tambur			13	140
				320x8 Çift Tambur			26	150

*Kapasite kabin dahil olarak verilmiştir.
*Capacity is given including the cabin.



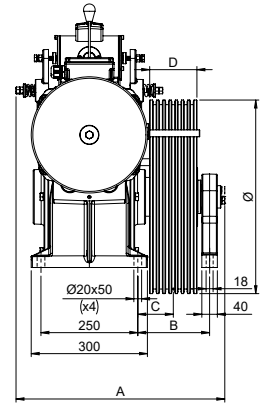
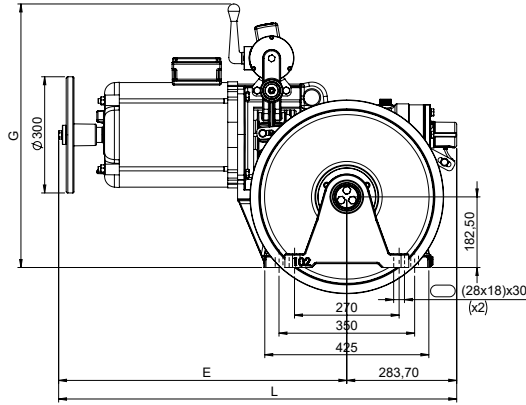
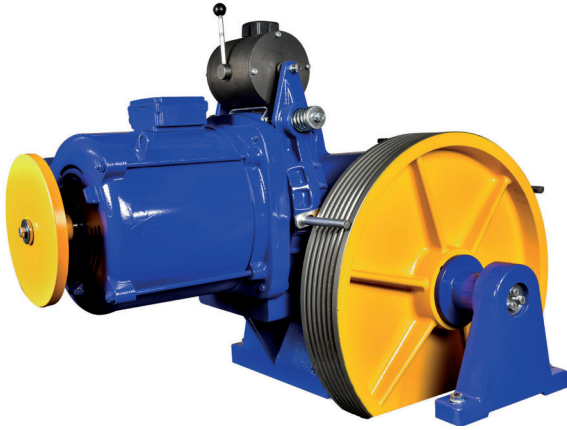
Motor Tipi / Motor Type	Ø	D	B	C	L	E	A
4,0 kW	400x5x10	90	177,5	84	901	630	531
	480x5x10	98					
	550x5x10	95					
5,5 kW	400x5x10	90					
	480x5x10	98					
	550x5x10	95					
7,5 kW	400x5x10	90	951	680			
	480x5x10	98					
	550x5x10	95					

Askı Tipi 1:1 Ropping Type 1:1		Seyir Mesafesi 51 Metre Travel Distance 51 Meter			Statik Yük 3500 Kg Static Load 3500 Kg		240St/h 240St/h	
Ürün Product	Hız Speed [m/s]	Kapasite Duty Load [kg]	Güç Power [kW]	Kasnak Sheave [mm]	Akım Current [A]	Tahvil Oranı Ratio	Seyir Mesafesi Travel Distance [m]	Makine Ağırlığı Machine Weight [kg]
ZF82	1,00	450	4,0 kW	480x5x10	9,5	38/1	51	285
		630	5,5 kW		13,0			290
		800	7,5 kW		16,5			310
	1,60	320	4,0 kW	480x4x10	9,5	48/2		285
		450	5,5 kW	480x5x10	13,0			290
		630	7,5 kW		16,5			310



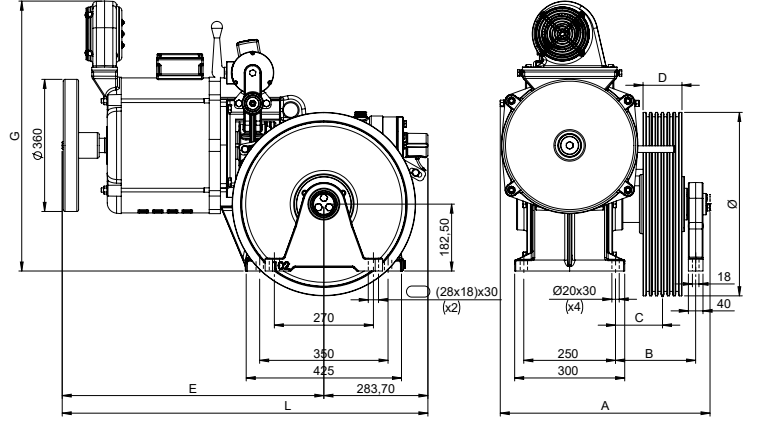
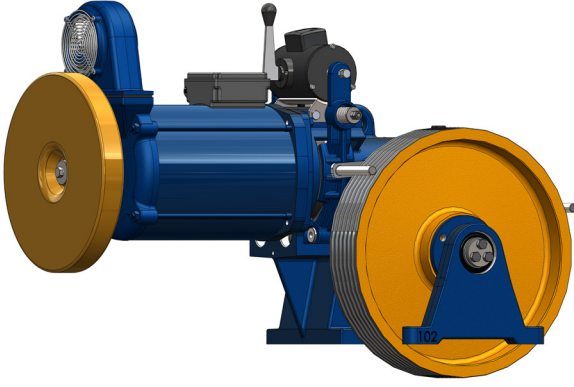
Motor Tipi / Motor Type	Ø	D	B	C	L	E	A	G
5,5 HP	480x5x10	98	177,5	84	945	675	531	650
6,2 HP					955	685		
7,5 HP					975	705		
8,2 HP					1000	730		
10,5 HP			209,5	116	967	696	563	700

Askı Tipi 1:1 Ropping Type 1:1		Seyir Mesafesi 51 Metre Travel Distance 51 Meter			Statik Yük 3500 Kg Static Load 3500 Kg		240St/h 240St/h	
Ürün Product	Hız Speed [m/s]	Kapasite Duty Load [kg]	Güç Power [kW]	Kasnak Sheave [mm]	Akım Current [A]	Tahvil Oranı Ratio	Seyir Mesafesi Travel Distance [m]	Makine Ağırlığı Machine Weight [kg]
782	1,00-0,25	450	5,5 HP	480x5x10	11,0 / 6,5	38/1	33	315
		525	6,2 HP		11,5 / 7,5			325
		630	8,2 HP		15,0 / 10,0			340
		960	10,5 HP		18,5 / 12,0			350



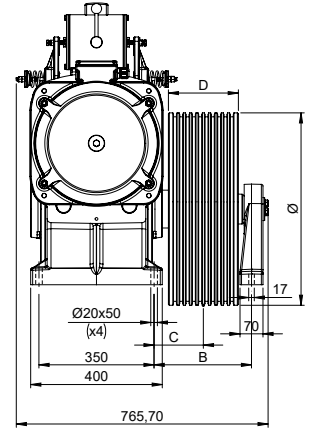
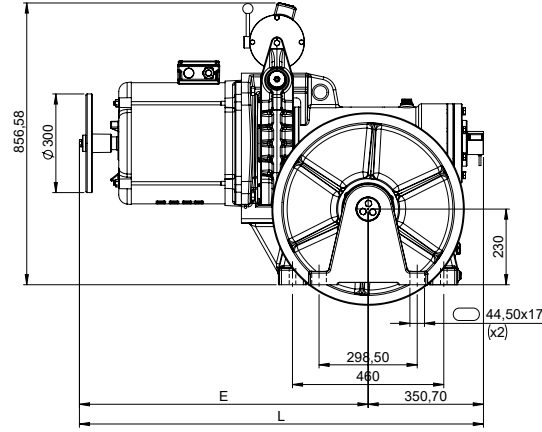
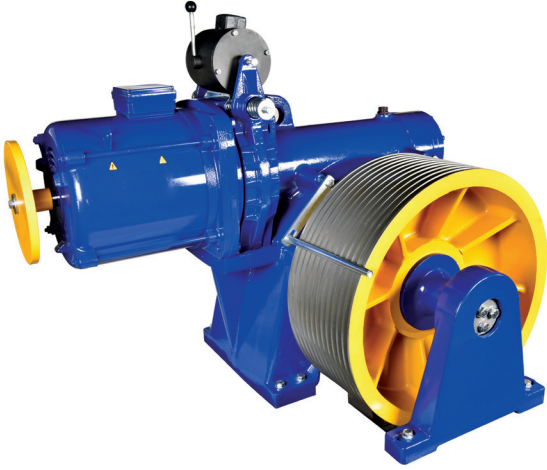
Motor Tipi / Motor Type	Ø	D	B	C	L	E	A	G
7,5 kW	500x5x10	90	185,5	87,0	978	694	539	681
	500x6x10	106		95,0				
	620x5x10	90		87,0				
	620x6x10	106		95,0				
9,0 kW	500x5x10	90		87,0	1003	719		
	500x6x10	106		95,0				
	620x5x10	90		87,0				
	620x6x10	106		95,0				
11,0 kW	500x5x10	90	87,0	1028	744			
	500x6x10	106	95,0					
	500x7x10	122	91,5					
	620x5x10	90	87,0					
15,0 kW	620x6x10	106	95,0	2024	740			
	500x6x10	106	128,5					
	500x7x10	122	125,0					
	620x5x10	90	120,0					
	620x6x10	106	128,0					

Askı Tipi 1:1 Ropping Type 1:1		Seyir Mesafesi 51 Metre Travel Distance 51 Meter			Statik Yük 4500 Kg Static Load 4500 Kg		240St/h 240St/h			
Ürün Product	Hız Speed [m/s]	Kapasite Duty Load [kg]	Güç Power [kW]	Kasnak Sheave [mm]	Akım Current [A]	Tahvil Oranı Ratio	Seyir Mesafesi Travel Distance [m]	Makine Ağırlığı Machine Weight [kg]		
ZF102	1,00	1000	7,5 kW	500x6x10	16,5	39/1	51	335		
		1125	9,0 kW		20,5			345		
		1440	11,0 kW		24,0			365		
		1500	15,0 kW		31,0			370		
	1,20	600	5,5 kW	620x5x10	13,0			345		
		800	7,5 kW		16,5			350		
		960	9,0 kW		20,5			360		
		1125	11,0 kW		24,0			375		
	1,60	1400	15,0 Kw	620x6x10	31,0			385		
		500	5,5 kW		49/2			13,0	345	
		680	7,5 kW					500x5x10	16,5	350
		800	9,0 kW						20,5	345
	1000	11,0 kW	24,0	365						
	1300	15,0 kW	31,0	370						
	2,00	400	5,5 kW	620x4x10		13,0		46/3	345	
		550	7,5 kW			500x6x10			16,5	350
		630	9,0 kW						20,5	360
		800	11,0 kW						24,0	375
	2,40	1050	15,0 kW	620x6x10					31,0	385
		320	5,5 kW			500x4x10			13,0	320
		400	7,5 kW						16,5	335
		525	9,0 kW		20,5				345	
	3,20	640	11,0 kW	500x5x10	24,0				365	
		880	15,0 kW		620x6x10	31,0			370	
320		7,5 kW	500x6x10			16,5	350			
450		9,0 kW				20,5	360			
525	11,0 kW	620x4x10		24,0		375				
720	15,0 kW			31,0	385					



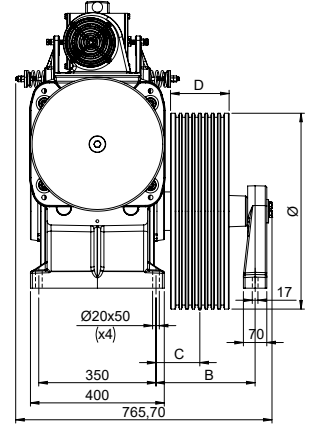
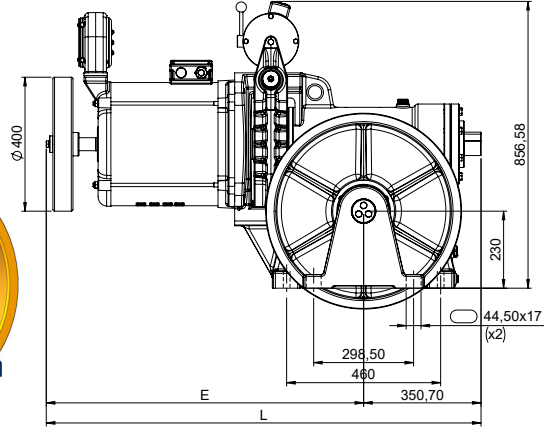
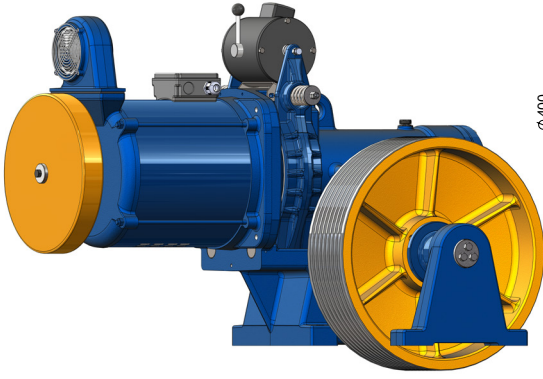
Motor Tipi / Motor Type	Ø	D	B	C	L	E	A	G
8,2 HP	500x5x10	90	185,5	87,0	1028	745	539	686
10,5 HP	500x6x10	106	218,5	128,5	994	711	572	736
12,5 HP					1024	741		
14,0 HP					1039	756		
16,0 HP	500x7x10	122		125,0	1054	771		

Askı Tipi 1:1 Ropping Type 1:1		Seyir Mesafesi 51 Metre Travel Distance 51 Meter			Statik Yük 4500 Kg Static Load 4500 Kg		240St/h 240St/h	
Ürün Product	Hız Speed [m/s]	Kapasite Duty Load [kg]	Güç Power	Kasnak Sheave [mm]	Akım Current [A]	Tahvil Oranı Ratio	Seyir Mesafesi Travel Distance [m]	Makine Ağırlığı Machine Weight [kg]
Z102	1,00-0,25	800	8,2 HP	500x5x10	15,0 / 10,0	39/1	33	340
		1000	10,5 HP	500x6x10	18,5 / 12,0			360
		1200	12,5 HP		20,5 / 15,0			385
		1350	14,0 HP		22,5 / 16,0			395
		1400	16,0 HP		500x7x10			25,0 / 17,0



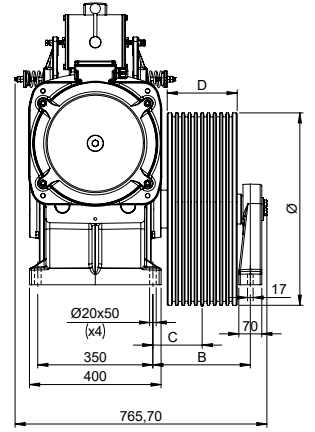
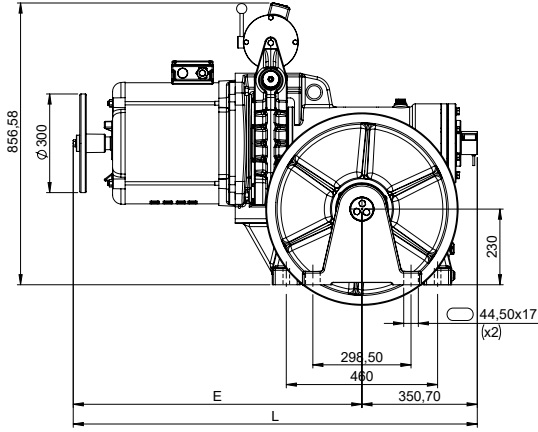
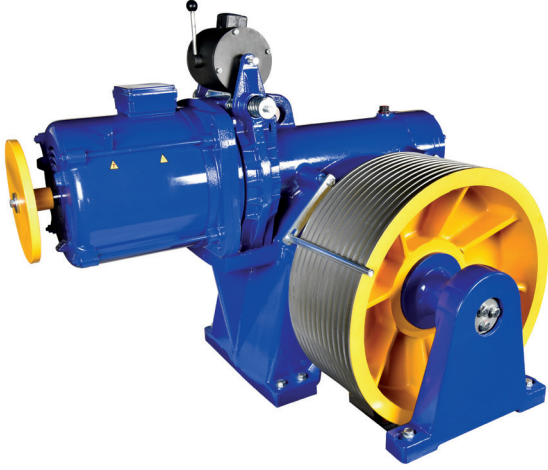
Motor Tipi	Ø	D	B	C	L	E
11,0 kW	580x9x10	160	296,2	123,5	1184	833
	700x7x10	132		108,5		
	580x6x10	120		103,5		
	700x6x10	120		103,5		
	580x5x10	120		103,5		
15,0 kW	700x5x10	120		103,5		
	580x8x12	180		133,5	1214	863
	700x10x10	180		133,5		
	580x8x10	138		112,5		
700x6x10	120	103,5				
18,5 kW	580x6x10	120		103,5		
	580x10x12	212		150,0	1229	878
	700x8x12	180		133,5		
	580x10x10	180		133,5		
	700x8x10	144		116,0		
580x6x10	120	103,5				
22,0 kW	700x6x10	120	103,5			
	580x9x14	212	150,0	1264	913	
	700x10x12	212	150,0			
	580x8x12	180	133,5			
	700x9x10	160	123,5			
	580x8x10	138	112,5			
700x6x10	120	103,5				

Askı Tipi 1:1 Ropping Type 1:1		Seyir Mesafesi 51 Metre Travel Distance 51 Meter			Statik Yük 12000 Kg Static Load 12000 Kg		240St/h 240St/h		
Ürün Product	Hız Speed [m/s]	Kapasite Duty Load [kg]	Güç Power [kW]	Kasnak Sheave [mm]	Akım Current [A]	Tahvil Oranı Ratio	Seyir Mesafesi Travel Distance [m]	Makine Ağırlığı Machine Weight [kg]	
ZF112	1,00	1840	11,0 kW	580x9x10	23,0	46/1	51	700	
		2480	15,0 kW	580x8x12	31,0			720	
		3075	18,5 kW	580x10x12	38,8			745	
	3680	22,0 kW	580x9x14	44,2	770				
	1,20	1520	11,0 kW	700x7x10	23,0			55/2	710
		2080	15,0 kW	700x10x10	31,0				730
		2560	18,5 kW	700x8x12	38,8	755			
	3040	22,0 kW	700x10x12	44,2	780				
	1,60	1200	11,0 kW	580x6x10	23,0	51/3			700
		1650	15,0 kW	580x8x10	31,0				720
		2025	18,5 kW	580x10x10	38,8			745	
	2,00	2400	22,0 kW	580x8x12	44,2			770	
		960	11,0 kW	700x6x10	23,0		710		
		1360	15,0 kW		31,0		730		
	1680	18,5 kW	38,8		755				
	2,40	2000	22,0 kW	700x8x10	38,8	780			
		750	11,0 kW	580x5x10	23,0	700			
		1050	15,0 kW	580x6x10	31,0	720			
	1280	18,5 kW	38,8		745				
	1575	22,0 kW	44,2		770				
	3,20	640	11,0 kW	700x5x10	23,0	51/3	710		
		880	15,0 kW	700x6x10	31,0		730		
		1050	18,5 kW		38,8		755		
		1280	22,0 kW		44,2		780		



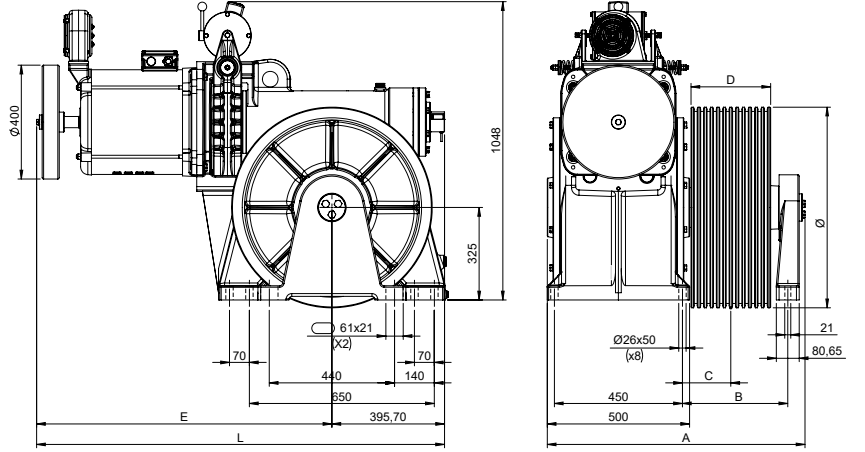
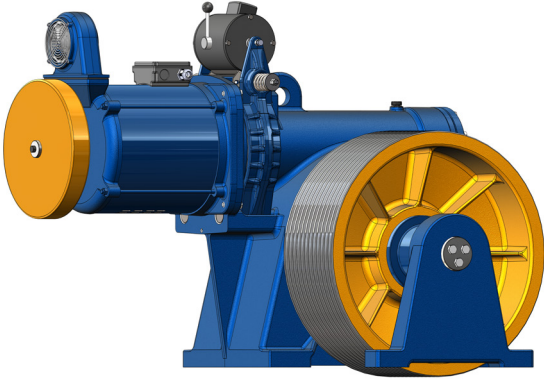
Motor Tipi / Motor Type	Ø	D	B	C	L	E
14,0 HP	580x8x10	138	296,2	112,5	1265	915
16,0 HP	580x9x10	160		123,5	1280	930
20,0 HP	580x8x12	180		133,5	1300	950

Askı Tipi 1:1 Ropping Type 1:1		Seyir Mesafesi 51 Metre Travel Distance 51 Meter			Statik Yük 12000 Kg Static Load 12000 Kg		240St/h 240St/h	
Ürün Product	Hız Speed [m/s]	Kapasite Duty Load [kg]	Güç Power [kW]	Kasnak Sheave [mm]	Akım Current [A]	Tahvil Oranı Ratio	Seyir Mesafesi Travel Distance [m]	Makine Ağırlığı Machine Weight [kg]
Z112	1,00-0,25	1725	14,0 HP	580x8x10	22,5 / 16,0	46/1	33	740
		1950	16,0 HP	580x9x10	25,0 / 17,0			750
		2475	20,0 HP	580x8x12	31,0 / 21,0			760



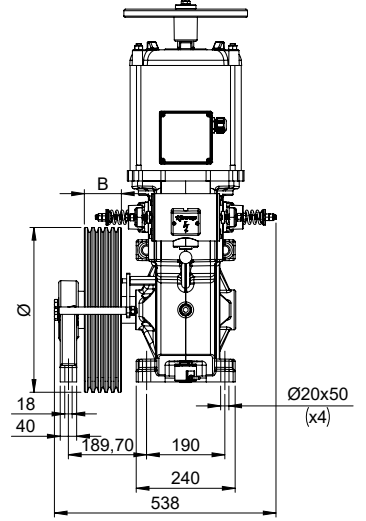
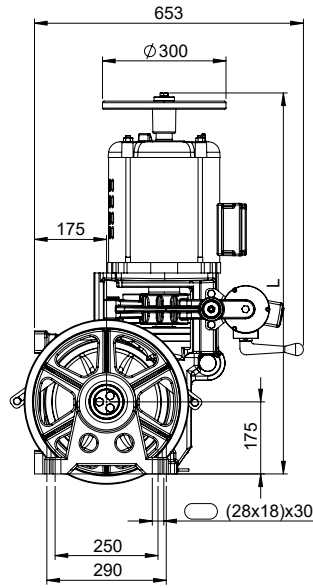
Motor Tipi / Motor Type	Ø	D	B	C	L	E	A
18,5 kW	700x12x14	280	370,2	170	1365	968	906
	875x10x14	280		175			
	700x10x12	250		165			
	875x9x12	204		141			
	700x10x10	250		165			
22,0 kW	875x9x10	170	85				
	700x14x14	335	440,2	213	1400	1003	956
	875x11x14	280	175				
	700x12x12	250	165				
	875x10x12	204	141				
700x9x12	250	165					
30,0 kW	875x10x10	170	85				
	700x12x16	335	440,2	213	1440	1043	956
	875x13x14	335	440,2	213			
	700x12x14	280	170				
	875x10x14	280	170				
700x9x14	250	165					
37,0 kW	875x10x12	204	141				
	700x16x16	440	545,2	318	1470	1073	1061
	875x14x16	375	480,2	253			
	700x14x14	335	440,2	213			
	875x12x14	280	175				
700x10x14	250	165					
875x9x14	280	175	906				

Askı Tipi 1:1 Ropping Type 1:1		Seyir Mesafesi 51 Metre Travel Distance 51 Meter			Statik Yük 30000 Kg Static Load 30000 Kg		240St/h 240St/h		
Ürün Product	Hız Speed [m/s]	Kapasite Duty Load [kg]	Güç Power [kW]	Kasnak Sheave [mm]	Akım Current [A]	Tahvil Oranı Ratio	Seyir Mesafesi Travel Distance [m]	Makine Ağırlığı Machine Weight [kg]	
ZF142	1,00	4880	18,5 kW	700x12x14	38,8	55/1	51	1350	
		5775	22,0 kW	700x14x14	44,2			1370	
		6880	30,0 kW	700x12x16	60,0			1400	
	9750	37,0 kW	700x16x16	72,0	1430				
	1,20	3900	18,5 kW	875x10x14	38,8			69/2	1360
		4640	22,0 kW	875x11x14	44,2				1380
		5475	30,0 kW	875x13x14	60,0				1410
	7800	37,0 kW	875x14x16	72,0	1440				
	1,60	3225	18,5 kW	700x10x12	38,8				65/3
		3840	22,0 kW	700x12x12	44,2	1370			
		5250	30,0 kW	700x12x14	60,0	1400			
	6480	37,0 kW	700x14x14	72,0	1430				
	2,00	2560	18,5 kW	875x9x12	38,8	65/3			
		3040	22,0 kW	875x10x12	44,2			1380	
		4200	30,0 kW	875x10x14	60,0			1410	
	5200	37,0 kW	875x12x14	72,0	1440				
	2,40	2175	18,5 kW	700x10x10	38,8			65/3	
		2560	22,0 kW	700x9x12	44,2				1370
		3525	30,0 kW	700x9x14	60,0				1400
	4350	37,0 kW	700x10x14	72,0	1430				
	3,20	1725	18,5 kW	875x9x10	38,8				65/3
		2025	22,0 kW	875x10x10	44,2	1380			
		2800	30,0 kW	875x10x12	60,0	1410			
	3450	37,0 kW	875x9x14	72,0	1440				



Motor Tipi / Motor Type	Ø	D	B	C	L	E	A
20,0 HP	700x9x14	250	370,2	165	1435	1040	906

Askı Tipi 1:1 Ropping Type 1:1		Seyir Mesafesi 51 Metre Travel Distance 51 Meter			Statik Yük 30000 Kg Static Load 30000 Kg		240St/h 240St/h	
Ürün Product	Hız Speed [m/s]	Kapasite Duty Load [kg]	Güç Power [kW]	Kasnak Sheave [mm]	Akım Current [A]	Tahvil Oranı Ratio	Seyir Mesafesi Travel Distance [m]	Makine Ağırlığı Machine Weight [kg]
Z142	1,00-0,25	3840	20,0 HP	700x9x14	31,0 / 21,0	55/1	33	1350



Motor Tipi / Motor Type	Ø	D	B
5,5 kW	320x5x10	90	880
	400x5x10		
	480x5x10		
7,5 kW	320x5x10		900
	400x5x10		
	480x5x10		

Askı Tipi 1:1 Ropping Type 1:1		Seyir Mesafesi 51 Metre Travel Distance 51 Meter			Statik Yük 3500 Kg Static Load 3500 Kg		240St/h 240St/h	
Ürün Product	Hız Speed [m/s]	Kapasite Duty Load [kg]	Güç Power [kW]	Kasnak Sheave [mm]	Akım Current [A]	Tahvil Oranı Ratio	Seyir Mesafesi Travel Distance [m]	Makine Ağırlığı Machine Weight [kg]
HV140	0,80	800	5,5 kW	320x5x10	13,0	61/2	51	249
		1000	7,5 kW	320x5x10	16,5			259
	1,00	630	5,5 kW	400x5x10	13,0	38/1		249
		630	5,5 kW	480x5x10	13,0			259
		800	7,5 kW	400x5x10	16,5			249
		800	7,5 kW	480x5x10	16,5			38/1

Motor 3VF 4 Kutup / Motor 3VF 4 Pole 380V-50 Hz												
Tip Type	Kutup Poles	Güç Power [Hp] [kW]		M _n Rated Torque [Nm]	M _a Starting Torque [Nm]	I ₀ No-load Current [A]	I _n Rated Current [A]	I _s Starting Current [A]	Güç Faktörü cos	Devir rpm [d/dk]	Kayma s [%]	Makine Machine
AOM 135 S	4	5,5	4,0	27	60	5,4	9,5	21,2	0,81	1440	4,0	ZF82-VF2X
		7,5	5,5	37	95	6,7	13,0	33,8	0,81	1440	4,0	"ZF82-ZF102 VF2X-VF3X"
AOM 135 M		10,0	7,5	50	117	8,2	16,5	37,9	0,83	1435	4,3	ZF102-VF3X
		12,0	9,0	60	137	11,2	20,5	45,5	0,81	1430	4,7	
AOM 135 L		15,0	11,0	73	182	13,0	24,0	57,6	0,84	1440	4,0	VF2
AOM 135 S		7,5	5,5	37,5	63	7,4	12,5	37,2	0,86	1405	6,3	
		AOM 135 M	10,0	7,5	50,5	96	9,1	16,5	41,7	0,86	1420	5,3
12,0			9,0	61	105	9,8	19,5	50,0	0,86	1420	5,3	
AOM 135 L		15,0	11,0	75	138	13,7	24,5	63,4	0,85	1405	6,3	MF1-MF2-PRO-E
		20,0	15,0	102	178	17,7	31,5	76,2	0,89	1415	5,7	
AOM M 135 S		7,5	5,5	36	65	5,9	14,0	42,4	0,80	1435	4,3	ZF112-VF3X
		10,0	7,5	50	93	9,8	18,0	46,5	0,83	1430	4,7	
AOM 200 S		15,0	11,0	74	118	9,1	23,0	64,3	0,86	1430	4,7	ZF112
		20,0	15,0	99	174	13,4	31,0	85,7	0,85	1460	2,7	
AOM 200 M		24,0	17,5	115	210	15,4	35,6	98,6	0,85	1460	2,7	ZF112-ZF142
		25,0	18,5	121	218	15,4	38,8	112,4	0,83	1470	AOM 135 S	
		30,0	22,0	144	268	20,2	44,2	121,6	0,85	1465	2,3	
AOM 200 L		41,0	30,0	196	353	23,8	59,0	163,8	0,87	1465	2,3	ZF142
		50,0	37,0	242	436	26,7	72,0	209,6	0,85	1460	2,7	

Motor AC2 4-16 Kutup / Motor AC2 4-16 Pole 380V-50 Hz												
Tip Type	Kutup Poles	Güç Power [Hp] [kW]		M _n Rated Torque [Nm]	M _a Starting Torque [Nm]	I ₀ No-load Current [A]	I _n Rated Current [A]	I _s Starting Current [A]	Güç Faktörü cos	Devir rpm [d/dk]	Kayma s [%]	Makine Machine
AOM 135 S	4	5,5	4,0	29	59	5,2	11,0	56,0	0,81	1350	10,0	Z82-V2X
	16				44	6,2	6,5			260	30,7	
AOM 135 M	4	6,2	4,5	32	62	5,8	11,5	61,0	0,81	1370	8,7	
	16				50	7,0	7,5			230	38,7	
AOM 135 L	4	7,5	5,5	39	85	7,4	14,0	77,3	0,82	1360	9,3	Z82-Z102-V2X
	16				60	8,5	9,0			250	33,3	
AOM 135 S	4	8,2	6,0	42	90	7,5	15,0	80,0	0,81	1380	8,0	
	16				68	9,4	10,0			260	30,7	
AOM 135 L	4	10,5	7,7	54	116	9,3	18,5	97,0	0,84	1370	8,7	Z102-V3X
	16				79	11,2	12,0			240	36,0	
AOM 200 S	4	10,5	7,7	53	117	9,0	17,5	86,0	0,83	1410	6,0	
	16				75	9,5	12,0			340	9,3	
AOM 200 M	4	12,5	9,2	62	120	11,0	20,5	108,0	0,83	1430	4,7	Z112-V3X
	16				105	11,0	15,0			340	9,3	
AOM 200 L	4	14,0	10,3	68	147	12,0	22,5	120,0	0,81	1465	2,3	
	16				115	11,2	12,0			345	8,0	
AOM 200 S	4	16,0	11,8	79	181	12,9	25,0	138,0	0,85	1435	4,3	Z112-Z142
	16				124	15,0	17,0			340	9,3	
AOM 200 L	4	20,0	14,7	98	208	15,5	31,0	170,0	0,84	1440	4,0	
	16				152	18,0	21,0			345	8,0	

Motor 3VF 4 Kutup / Motor 3VF 4 Pole 380V-60 Hz												
Tip Type	Kutup Poles	Güç Power [Hp] [kW]		M _n Rated Torque [Nm]	M _s Starting Torque [Nm]	I ₀ No-load Current [A]	I _n Rated Current [A]	I _k Starting Current [A]	Güç Faktörü cos	Devir rpm [d/dk]	Kayma s [%]	Makine Machine
AOM 135 S	4	5,5	4,0	22,5	50	5,7	9,5	22,3	0,81	1728	4,0	ZF82-VF2X
		7,5	5,5	30,8	79	7,0	13,0	35,5	0,81	1728	4,0	ZF82-ZF102
AOM 135 M	4	10,0	7,5	41,7	98	8,6	16,5	39,8	0,83	1722	4,3	ZF2X-VF3X
		12,0	9,0	50	114	11,8	20,5	47,8	0,81	1716	4,7	ZF102-VF3X
AOM 135 L	4	15,0	11,0	60,8	152	13,7	24,0	60,5	0,84	1728	4,0	VF2
AOM 135 S	7,5	5,5	31,3	53	7,8	12,5	39,1	0,86	1686	6,3		
AOM 135 M	4	10,0	7,5	42,1	80	9,6	16,5	43,8	0,86	1704	5,3	VF2-VF3
		12,0	9,0	50,8	88	10,3	19,5	52,5	0,86	1704	5,3	
AOM 135 L	4	15,0	11,0	62,5	115	14,4	24,5	66,6	0,85	1686	6,3	VF2-VF3
		20,0	15,0	85	148	18,6	31,5	80,0	0,89	1698	5,7	
AOM M 135 S	4	7,5	5,5	30	54	6,2	14,0	44,5	0,80	1722	4,3	MF1-MF2-PRO-E
		10,0	7,5	41,7	78	10,3	18,0	48,8	0,83	1716	4,7	
AOM 200 S	4	15,0	11,0	61,7	98	9,6	23,0	67,5	0,86	1716	4,7	ZF112-VF3X
		20,0	15,0	82,5	145	14,1	31,0	90,0	0,85	1752	2,7	
AOM 200 M	4	24,0	17,5	95,8	175	16,2	35,6	103,5	0,85	1752	2,7	ZF112
		25,0	18,5	100,8	182	16,2	38,8	118,0	0,83	1764	2,0	ZF112-ZF142
		30,0	22,0	120	223	21,2	44,2	127,7	0,85	1758	2,3	
AOM 200 L	4	41,0	30,0	163,3	294	25,0	59,0	172,0	0,87	1758	2,3	ZF142
		50,0	37,0	201,7	363	28,0	72,0	220,1	0,85	1752	2,7	

Motor AC2 4-16 Kutup / Motor AC2 4-16 Pole 380V-60 Hz												
Tip Type	Kutup Poles	Güç Power [Hp] [kW]		M _n Rated Torque [Nm]	M _s Starting Torque [Nm]	I ₀ No-load Current [A]	I _n Rated Current [A]	I _k Starting Current [A]	Güç Faktörü cos	Devir rpm [d/dk]	Kayma s [%]	Makine Machine
AOM 135 S	4/16	5,5	4,0	24	49	5,5	11,0	56,0	0,81	1620	10,0	Z82-V2X
					37	6,5	6,5			312	30,7	
AOM 135 M	4/16	6,2	4,5	27	52	6,0	11,5	61,0	0,81	1645	8,7	Z82-V2X
					42	7,4	7,5			275	38,7	
AOM 135 M	4/16	7,5	5,5	33	68	7,8	14,0	77,3	0,82	1635	9,3	Z82-V2X
					50	8,9	9,0			300	33,3	
AOM 135 L	4/16	8,2	6,0	35	75	7,9	15,0	80,0	0,81	1655	8,0	Z82-Z102-V2X
					57	9,9	10,0			315	30,7	
AOM 135 L	4/16	10,5	7,7	45	97	9,8	18,5	97,0	0,84	1645	8,7	Z82-Z102-V2X
					66	11,8	12,0			290	36,0	
AOM 200 S	4/16	10,5	7,7	44	98	9,5	17,5	86,0	0,83	1690	6,0	Z102-V3X
					63	10,0	12,0			410	9,3	
AOM 200 S	4/16	12,5	9,2	52	100	11,6	20,5	108,0	0,83	1715	4,7	Z102-V3X
					88	11,6	15,0			410	9,3	
AOM 200 M	4/16	14,0	10,3	56	123	12,6	22,5	120,0	0,81	1760	2,3	Z112-V3X
					95	11,8	12,0			415	8,0	
AOM 200 M	4/16	16,0	11,8	66	151	13,5	25,0	138,0	0,85	1725	4,3	Z112-V3X
					103	15,8	17,0			410	9,3	
AOM 200 M	4/16	20,0	14,7	82	173	16,3	31,0	170,0	0,84	1730	4,0	Z112-Z142
					127	18,9	21,0			415	8,0	

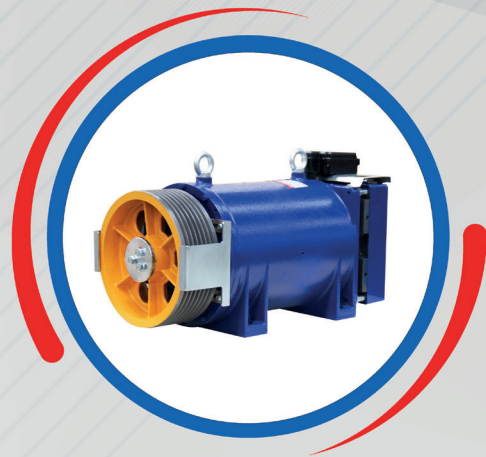
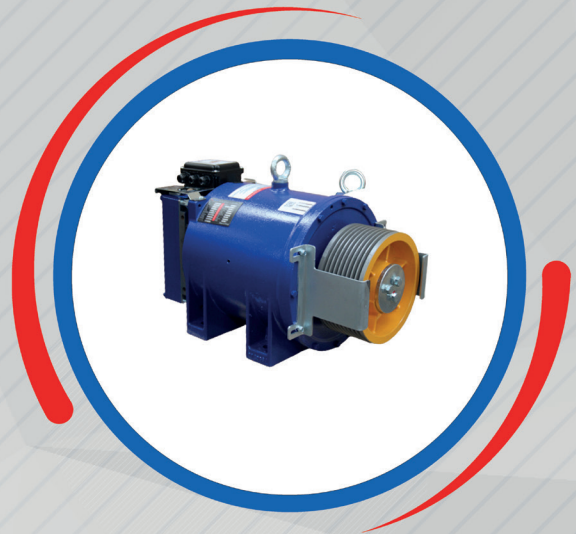
GEARLESS MACHINES

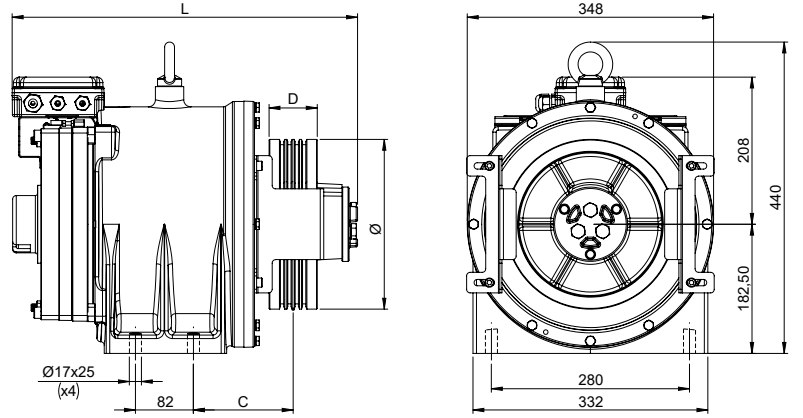


Speed: 0,63-2,50 m/s

Capacity: 320-3.500 kg

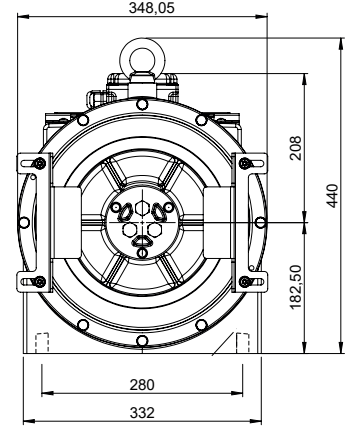
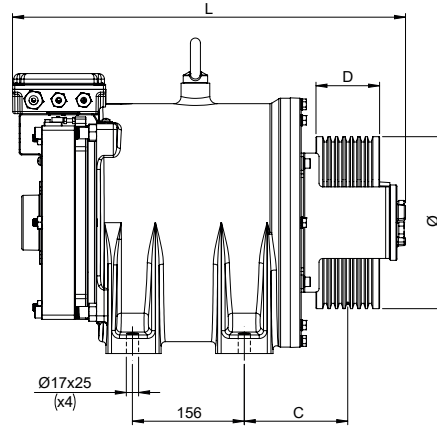
Travel Distance: 21-51 meter





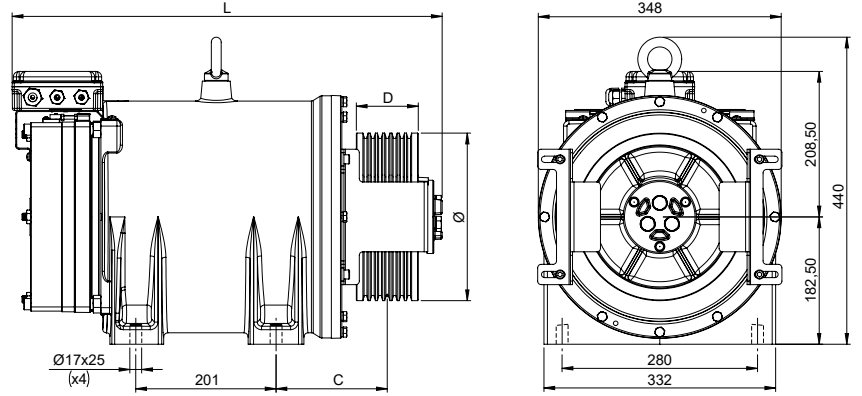
L	C	D	Ø
498	141	68	210*4-5-6*6,5
			240*4-5-6*6,5

Askı Tipi 2:1 Ropping Type 2:1		Seyir Mesafesi 21 Metre Travel Distance 21 Meter		Statik Yük 7000 Kg Static Load 7000 Kg		IP 54 - İzolasyon Sınıfı F IP 54 - Isolation Class F			180St/h 180St/h		
Ürün Product	Hız Speed [m/s]	Kapasite Duty Load [kg]	Güç Power [kW]	Kasnak Sheave [mm]	Akım Current [A]	Kutup Poles	Frekans Frequency [Hz]	Devir Revolution [rpm]	Tork Torque [Nm]	Makine Ağırlığı Machine Weight [kg]	
MUGEN MRL1	0,63	320	1,2	210x5x6,5	3,7	20	19,17	115	103	150	
	1,00		2,0		5,2		30,33	182			
	1,60		3,1		7,8		48,50	291			
	0,63	400	1,5		4,7		6,5	19,17	115		129
	1,00		2,4		9,8		30,33	182			
	1,60		3,9		16,67		100				
	0,63	320	1,2	240x4x6,5	3,7		16,67	100	118		
	1,00		2,0		5,2		26,50	159			
	1,60		3,1		7,8		42,50	255			
	0,63	400	1,5		4,7		6,5	16,67	100		147
	1,00		2,5		9,8		26,50	159			
	1,60		3,9		42,50		255				



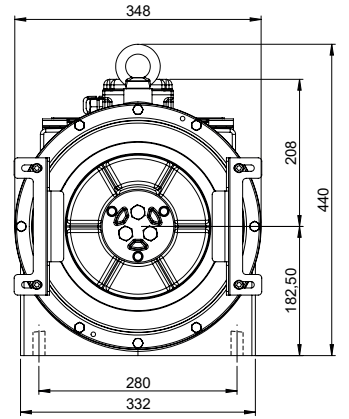
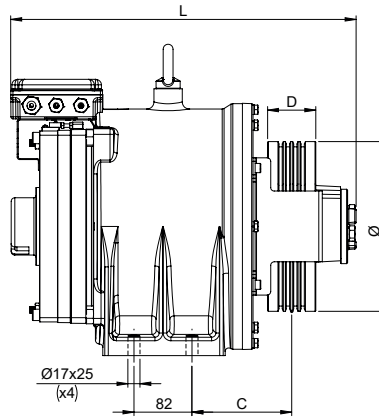
L	C	D	Ø
548,5	134	68	210*4-5-6*6,5
	144,4	88,8	210*7-8*6,5
	134	68	240*4-5-6*6,5
	144,4	88,8	240*7-8*6,5
	142	84	320*4-5-6*8

Askı Tipi 2:1 Ropping Type 2:1		Seyir Mesafesi 21 Metre Travel Distance 21 Meter		Statik Yük 7000 Kg Static Load 7000 Kg		IP 54 - İzolasyon Sınıfı F IP 54 - Isolation Class F			180St/h 180St/h	
Ürün Product	Hız Speed [m/s]	Kapasite Duty Load [kg]	Güç Power [kW]	Kasnak Sheave [mm]	Akım Current [A]	Kutup Poles	Frekans Frequency [Hz]	Devir Revolution [rpm]	Tork Torque [Nm]	Makine Ağırlığı Machine Weight [kg]
MUGEN MRL2	0,63	480	1,9	210x6x6,5	5,6	20	19,17	115	155	175
	1,00		2,9		7,8		30,33	182		
	1,60		4,7		11,8		48,50	291		
	0,63	630	2,4	210x7x6,5	7,4		19,17	115	203	
	1,00		3,9		10,2		30,33	182		
	1,60		6,2		15,4		48,50	291		
	0,63	800	3,1	210x8x6,5	9,4		19,17	115	258	
	1,00		4,9		13,0		30,33	182		
	1,60		7,8		19,6		48,50	291		
	0,63	480	1,9	240x5x6,5	5,6		16,67	100	177	
	1,00		2,9		7,8		26,50	159		
	1,60		4,7		11,8		42,50	255		
	0,63	630	2,4	240x6x6,5	7,4	16,67	100	232		
	1,00		3,9		10,2	26,50	159			
	1,60		6,2		15,4	42,50	255			
	0,63	800	3,1	240x7x6,5	9,4	16,67	100	294		
	1,00		4,9		13,0	26,50	159			
	1,60		7,8		19,6	42,50	255			
	0,63	320	1,2	320x4x8	4,4	12,50	75	157		
	1,00		2,0		5,9	19,83	119			
	1,60		3,1		8,3	31,83	191			
	0,63	400	1,5		5,5	12,50	75	196		
	1,00		2,4		7,4	19,83	119			
	1,60		3,9		10,4	31,83	191			
0,63	480	1,9	6,6		12,50	75	235			
1,00		2,9	8,9		19,83	119				
1,60		4,7	12,5		31,83	191				
0,63	630	2,4	320x5x8		8,6	12,50	75	309		
1,00		3,9			11,7	19,83	119			
1,60		6,2			16,4	31,83	191			



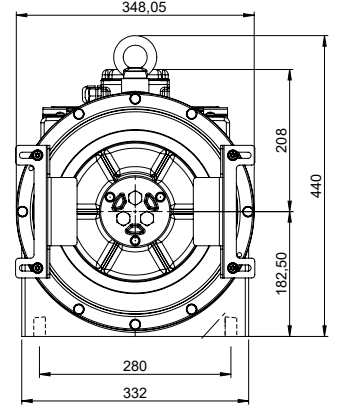
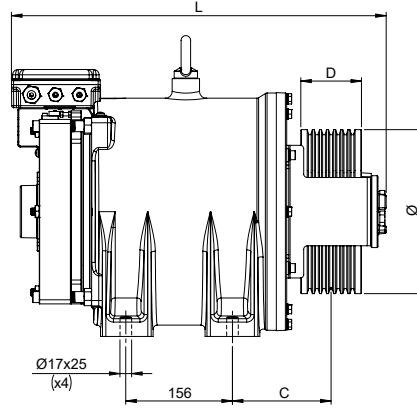
L	C	D	Ø
620	169,8	109,6	210x9-10x6,5
655	186,5	143	210x11-12-13x6,5
620	159,4	88,8	240x7-8x6,5
620	169,8	109,6	240x9-10x6,5
620	157	84	320x4-5-6x8

Askı Tipi 2:1 Ropping Type 2:1		Seyir Mesafesi 21 Metre Travel Distance 21 Meter		Statik Yük 7000 Kg Static Load 7000 Kg		IP 54 - İzolasyon Sınıfı F IP 54 - Isolation Class F			180St/h 180St/h	
Ürün Product	Hız Speed [m/s]	Kapasite Duty Load [kg]	Güç Power [kW]	Kasnak Sheave [mm]	Akım Current [A]	Kutup Poles	Frekans Frequency [Hz]	Devir Revolution [rpm]	Tork Torque [Nm]	Makine Ağırlığı Machine Weight [kg]
MUGEN MRL3	0,63	1000	3,9	210x10x6,5	11,7	20	19,17	115	322	205
	1,00		6,1		16,3		30,33	182		
	1,60		9,8		24,5		48,50	291		
	0,63	1275	4,9	210x11x6,5	14,9		19,17	115	410	
	1,00		7,8		20,7		30,33	182		
	1,60		12,5		31,2		48,50	291		
	0,63	1000	3,9	240x8x6,5	11,7		16,67	100	368	
	1,00		6,1		16,3		26,50	159		
	1,60		9,8		24,5		42,50	255		
	0,63	1275	4,9	240x9x6,5	14,9		16,67	100	469	
	1,00		7,8		20,7		26,50	159		
	1,60		12,5		31,2		42,50	255		
0,63	800	3,1	320x5x8	10,9	12,50	75	392			
1,00		4,9		14,9	19,83	119				
1,60		7,8		20,8	31,83	191				



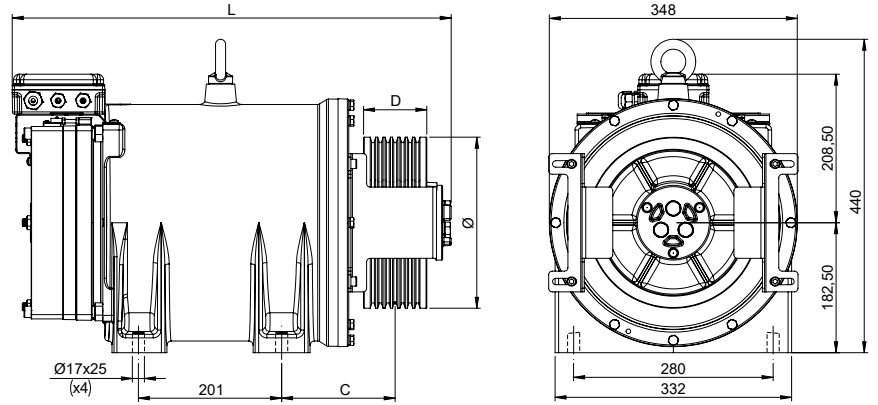
L	C	D	Ø
498	141	68	210*4-5-6*6,5
			240*4-5-6*6,5

Askı Tipi 2:1 Ropping Type 2:1		Seyir Mesafesi 33 Metre Travel Distance 33 Meter		Statik Yük 7000 Kg Static Load 7000 Kg		IP 54 - İzolasyon Sınıfı F IP 54 - Isolation Class F			240St/h 240St/h	
Ürün Product	Hız Speed [m/s]	Kapasite Duty Load [kg]	Güç Power [kW]	Kasnak Sheave [mm]	Akım Current [A]	Kutup Poles	Frekans Frequency [Hz]	Devir Revolution [rpm]	Tork Torque [Nm]	Makine Ağırlığı Machine Weight [kg]
VOLPI MRL1	0,63	320	1,2	210x5x6,5	3,7	20	19,17	115	103	150
	1,00		2,0		5,2		30,33	182		
	1,60		3,1		7,8		48,50	291		
	2,00		3,9		9,8		60,63	364		
	2,50		4,9		12,2		75,79	455		
	0,63	400	1,5		4,7		19,17	115	129	
	1,00		2,4		6,5		30,33	182		
	1,60		3,9		9,8		48,50	291		
	2,00		4,9		12,2		60,63	364		
	2,50		6,1		15,3		75,79	455		
	0,63	320	1,2	3,7	240x4x6,5	16,67	100	118		
	1,00		2,0	5,2		26,50	159			
	1,60		3,1	7,8		42,50	255			
	2,00		3,9	9,8		53,05	318			
	2,50		4,9	12,2		66,31	398			
	0,63	400	1,5	4,7		16,67	100	147		
	1,00		2,5	6,5		26,50	159			
	1,60		3,9	9,8		42,50	255			
	2,00		4,9	12,2		53,05	318			
	2,50		6,1	15,3		66,31	398			



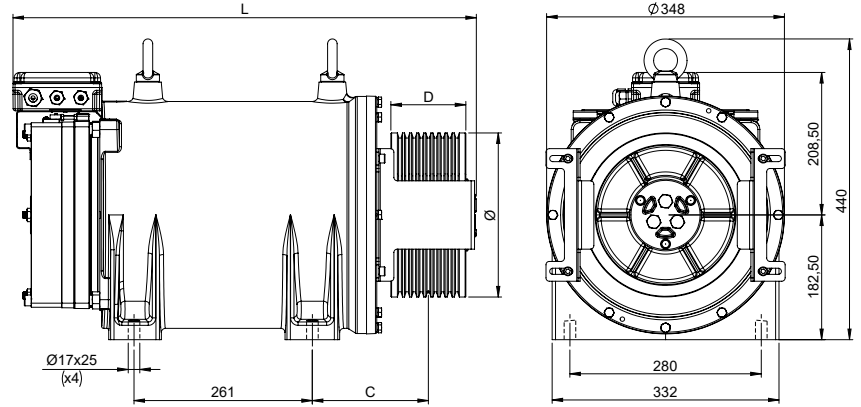
L	C	D	Ø
548,5	134	68	210*4-5-6*6,5
	144,4	88,8	210*7-8*6,5
	134	68	240*4-5-6*6,5
	144,4	88,8	240*7-8*6,5
	142	84	320*4-5-6*8

Askı Tipi 2:1 Ropping Type 2:1		Seyir Mesafesi 33 Metre Travel Distance 33 Meter		Statik Yük 7000 Kg Static Load 7000 Kg		IP 54 - İzolasyon Sınıfı F IP 54 - Isolation Class F			240St/h 240St/h	
Ürün Product	Hız Speed [m/s]	Kapasite Duty Load [kg]	Güç Power [kW]	Kasnak Sheave [mm]	Akım Current [A]	Kutup Poles	Frekans Frequency [Hz]	Devir Revolution [rpm]	Tork Torque [Nm]	Makine Ağırlığı Machine Weight [kg]
VOLPI MRL2	0,63	480	1,9	210x6x6,5	5,6	20	19,17	115	155	175
	1,00		2,9		7,8		30,33	182		
	1,60		4,7		11,8		48,50	291		
	2,00		5,9		14,7		60,63	364		
	2,50		7,3		18,3		75,79	455		
	0,63		2,4		7,4		19,17	115		
	1,00	3,9	10,2	30,33	182		203			
	1,60	6,2	15,4	48,50	291					
	2,00	7,7	19,3	60,63	364					
	2,50	9,6	24,1	75,79	455					
	0,63	3,1	9,4	19,17	115					
	1,00	4,9	13,0	30,33	182			258		
	1,60	7,8	19,6	48,50	291					
	2,00	9,8	24,5	60,63	364					
	2,50	12,2	30,6	75,79	455					
	0,63	1,9	5,6	16,67	100		177			
	1,00	2,9	7,8	26,50	159					
	1,60	4,7	11,8	42,50	255					
	2,00	5,9	14,7	53,05	318					
	2,50	7,3	18,3	66,31	398					
	0,63	2,4	7,4	16,67	100			232		
	1,00	3,9	10,2	26,50	159					
	1,60	6,2	15,4	42,50	255					
	2,00	7,7	19,3	53,05	318					
	2,50	9,6	24,1	66,31	398					
	0,63	3,1	9,4	16,67	100		294			
	1,00	4,9	13,0	26,50	159					
	1,60	7,8	19,6	42,50	255					
	2,00	9,8	24,5	53,05	318					
	2,50	12,2	30,6	66,31	398					
	0,63	1,2	4,4	12,50	75			157		
	1,00	2,0	5,9	19,83	119					
	1,60	3,1	8,3	31,83	191					
	2,00	3,9	9,8	39,79	239					
	2,50	4,9	12,2	49,74	298					
	0,63	1,5	5,5	12,50	75		196			
	1,00	2,4	7,4	19,83	119					
	1,60	3,9	10,4	31,83	191					
	2,00	4,9	12,2	39,79	239					
	2,50	6,1	15,3	49,74	298					
	0,63	1,9	6,6	12,50	75			235		
	1,00	2,9	8,9	19,83	119					
	1,60	4,7	12,5	31,83	191					
	2,00	5,9	14,7	39,79	239					
	2,50	7,3	18,3	49,74	298					
	0,63	2,4	8,6	12,50	75		309			
	1,00	3,9	11,7	19,83	119					
	1,60	6,2	16,4	31,83	191					
2,00	7,7	19,3	39,79	239						
2,50	9,6	24,1	49,74	298						



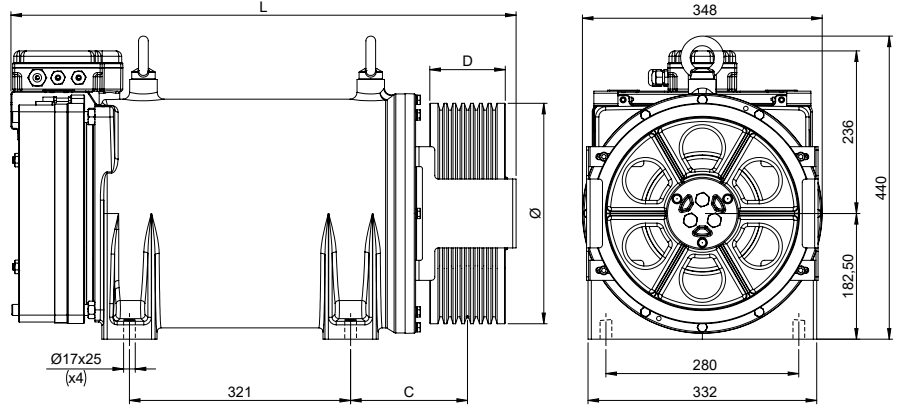
L	C	D	Ø
620	169,8	109,6	210*9-10*6,5
655	186,5	143	210x11-12-13x6,5
620	159,4	88,8	240*7-8*6,5
620	170	109,6	240x9-10x6,5
620	157	84	320*4-5-6*8

Askı Tipi 2:1 Ropping Type 2:1		Seyir Mesafesi 33 Metre Travel Distance 33 Meter		Statik Yük 7000 Kg Static Load 7000 Kg		IP 54 - İzolasyon Sınıfı F IP 54 - Isolation Class F			240St/h 240St/h	
Ürün Product	Hız Speed [m/s]	Kapasite Duty Load [kg]	Güç Power [kW]	Kasnak Sheave [mm]	Akım Current [A]	Kutup Poles	Frekans Frequency [Hz]	Devir Revolution [rpm]	Tork Torque [Nm]	Makine Ağırlığı Machine Weight [kg]
VOLPI MRL 3	0,63	1000	3,9	210x10x6,5	11,7	20	19,17	115	322	205
	1,00		6,1		16,3		30,33	182		
	1,60		9,8		24,5		48,50	291		
	2,00		12,2		30,6		60,63	364		
	2,50		15,3		38,2		75,79	455		
	0,63	1275	4,9	210x11x6,5	14,9		19,17	115	410	
	1,00		7,8		20,7		30,33	182		
	1,60		12,5		31,2		48,50	291		
	2,00		15,6		39,0		60,63	364		
	2,50		19,5		48,7		75,79	455		
	0,63	1000	3,9	240x8x6,5	11,7		16,67	100	368	
	1,00		6,1		16,3		26,50	159		
	1,60		9,8		24,5		42,50	255		
	2,00		12,2		30,6		53,05	318		
	2,50		15,3		38,2		66,31	398		
	0,63	1275	4,9	240x9x6,5	14,9		16,67	100	469	
	1,00		7,8		20,7		26,50	159		
	1,60		12,5		31,2		42,50	255		
	2,00		15,6		39,0		53,05	318		
	2,50		19,5		48,7		66,31	398		
0,63	800	3,1	320x5x8	10,9	12,50	75	392			
1,00		4,9		14,9	19,83	119				
1,60		7,8		20,8	31,83	191				
2,00		9,8		24,5	39,79	239				
2,50		12,2		30,6	49,74	298				



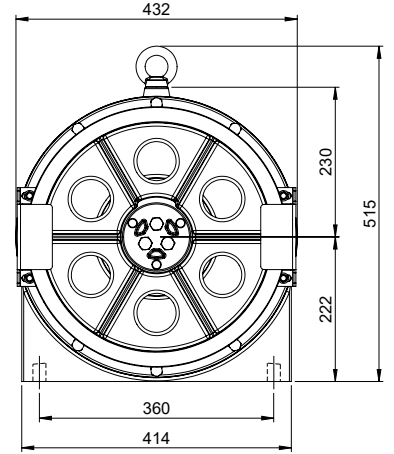
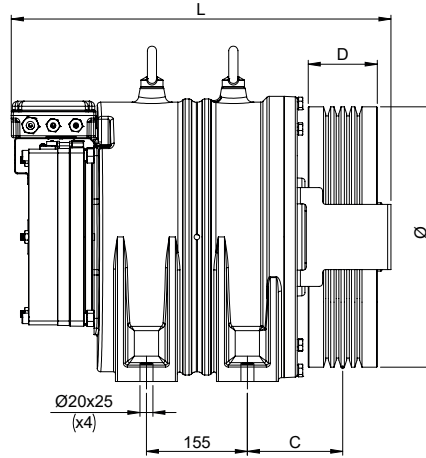
L	C	D	Ø
715	186,5	143	210*11-12-13*6,5
716	185	135	240x11-12x6,5
678	157	84	320*4-5-6*8
678	170	109,6	320x7-8x8

Askı Tipi 2:1 Ropping Type 2:1		Seyir Mesafesi 33 Metre Travel Distance 33 Meter		Statik Yük 7000 Kg Static Load 7000 Kg		IP 54 - İzolasyon Sınıfı F IP 54 - Isolation Class F			240St/h 240St/h	
Ürün Product	Hız Speed [m/s]	Kapasite Duty Load [kg]	Güç Power [kW]	Kasnak Sheave [mm]	Akım Current [A]	Kutup Poles	Frekans Frequency [Hz]	Devir Revolution [rpm]	Tork Torque [Nm]	Makine Ağırlığı Machine Weight [kg]
VOLPI MRL4	0,63	1600	6,2	210x13x6,5	18,7	20	19,17	115	515	280
	1,00		9,8		26,0		30,33	182		
	1,60		15,7		39,2		48,50	291		
	2,00		19,6		49,0		60,67	364		
	2,50		24,5		61,2		75,83	455		
	0,63	1600	6,2	240x11x6,5	18,7		16,67	100	589	
	1,00		9,8		26,0		26,50	159		
	1,60		15,7		39,2		42,50	255		
	2,00		19,6		49,0		53,00	318		
	2,50		24,5		61,2		66,33	398		
	0,63	1000	3,9	320x6x8	13,7		12,50	75	491	
	1,00		6,1		18,6		19,83	119		
	1,60		9,8		26,0		31,83	191		
	2,00		12,2		30,6		39,83	239		
	2,50		15,3		38,3		49,67	298		
	0,63	1275	4,9	320x7x8	17,4		12,50	75	625	
	1,00		7,8		23,7		19,83	119		
	1,60		12,5		33,2		31,83	191		
	2,00		15,6		39,0		39,83	239		
	2,50		19,5		48,8		49,67	298		



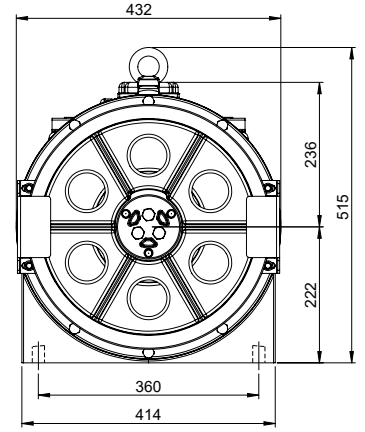
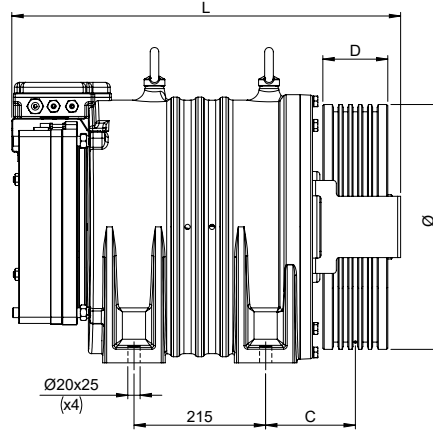
L	C	D	Ø
733	169,8	109,6	320*7-8*8

Askı Tipi 2:1 Ropping Type 2:1		Seyir Mesafesi 33 Metre Travel Distance 33 Meter		Statik Yük 7000 Kg Static Load 7000 Kg		IP 54 - İzolasyon Sınıfı F IP 54 - Isolation Class F			240St/h 240St/h	
Ürün Product	Hız Speed [m/s]	Kapasite Duty Load [kg]	Güç Power [kW]	Kasnak Sheave [mm]	Akım Current [A]	Kutup Poles	Frekans Frequency [Hz]	Devir Revolution [rpm]	Tork Torque [Nm]	Makine Ağırlığı Machine Weight [kg]
VOLPI MRL5	0,63	1600	6,2	320x8x8	21,9	20	12,50	75	785	310
	1,00		9,8		29,7		19,83	119		
	1,60		15,7		41,6		31,83	191		
	2,00		19,6		49,0		39,83	239		
	2,50		24,5		61,2		49,67	298		



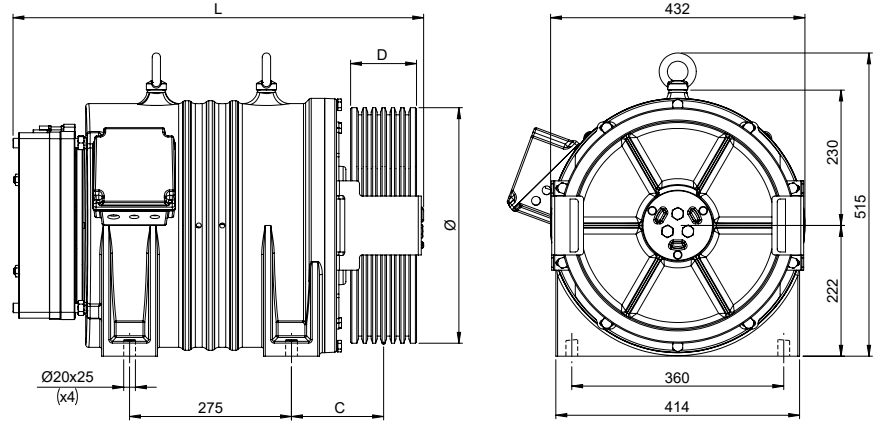
L	C	D	Ø
590	135,5	84	320*4-5-6*8
	148,3	109,6	320*7-8*8
	135,5	84	360*4-5-6*8
	146,5	106	400*4-5-6*10

Askı Tipi 2:1 Ropping Type 2:1		Seyir Mesafesi 33 Metre Travel Distance 33 Meter		Statik Yük 7000 Kg Static Load 7000 Kg		IP 54 - İzolasyon Sınıfı F IP 54 - Isolation Class F			240St/h 240St/h		
Ürün Product	Hız Speed [m/s]	Kapasite Duty Load [kg]	Güç Power [kW]	Kasnak Sheave [mm]	Akım Current [A]	Kutup Poles	Frekans Frequency [Hz]	Devir Revolution [rpm]	Tork Torque [Nm]	Makine Ağırlığı Machine Weight [kg]	
VOLPI MRL2-2	0,63	630	2,4	320x6x8	8,6	20	12,50	75	309	260	
	1,00		3,9		11,7		19,83	119			
	1,60		6,2		16,4		31,83	191			
	2,00		7,7		19,3		39,83	239			
	2,50	9,6	24,1	49,67	298						
	0,63	800	3,1	320x7x8	10,9		12,50	75	392		260
	1,00		4,9		14,9		19,83	119			
	1,60		7,8		20,8		31,83	191			
	2,00		9,8		24,5		39,83	239			
	2,50	12,2	30,6	49,67	298						
	0,63	1000	3,9	320x8x8	13,7		12,50	75	491		260
	1,00		6,1		18,6		19,83	119			
	1,60		9,8		26,0	31,83	191				
	2,00		12,2		30,6	39,83	239				
	2,50	15,3	38,3	49,67	298						
	0,63	630	2,4	360x5x8	8,6	11,17	67	348	270		
	1,00		3,9		11,7	17,67	106				
	1,60		6,2		16,4	28,33	170				
	2,00		7,7		19,3	35,33	212				
	2,50	9,6	24,1	44,17	265						
	0,63	800	3,1	360x6x8	10,9	11,17	67	441		270	
	1,00		4,9		14,9	17,67	106				
	1,60		7,8		20,8	28,33	170				
	2,00		9,8		24,5	35,33	212				
2,50	12,2	30,5	44,17	265							
0,63	630	2,4	400x4x10	8,6	10,00	60	386	275			
1,00		3,9		13,7	15,83	95					
1,60		6,2		16,4	25,50	153					
2,00		7,7		20,5	31,83	191					
2,50	9,6	24,1	39,83	239							
0,63	800	3,1	400x5x10	10,9	10,00	60	491		275		
1,00		4,9		17,3	15,83	95					
1,60		7,8		20,8	25,50	153					
2,00		9,8		26,0	31,83	191					
2,50	12,2	30,6	39,83	239							



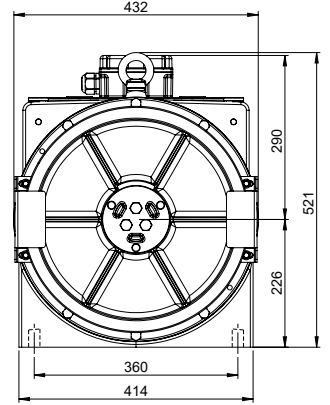
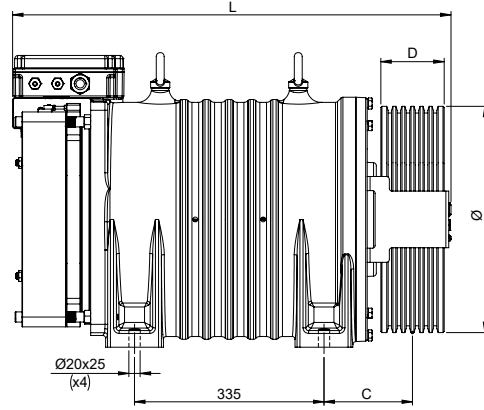
L	C	D	Ø
685	161	135,2	320*9-10*8
640	148,3	109,6	360*7-8*8
635	146,5	106	400*4-5-6*10

Askı Tipi 2:1 Ropping Type 2:1		Seyir Mesafesi 33 Metre Travel Distance 33 Meter		Statik Yük 7000 Kg Static Load 7000 Kg		IP 54 - İzolasyon Sınıfı F IP 54 - Isolation Class F			240St/h 240St/h	
Ürün Product	Hız Speed [m/s]	Kapasite Duty Load [kg]	Güç Power [kW]	Kasnak Sheave [mm]	Akım Current [A]	Kutup Poles	Frekans Frequency [Hz]	Devir Revolution [rpm]	Tork Torque [Nm]	Makine Ağırlığı Machine Weight [kg]
VOLPI MRL2-3	0,63	1275	4,9	320x10x8	17,4	20	12,50	75	625	310
	1,00		7,8		23,7		19,83	119		
	1,60		12,5		33,2		31,83	191		
	2,00		15,6		39,0		39,83	239		
	2,50		19,5		48,8		49,67	298		
	0,63	1600	6,2	320x11x8	21,9		12,50	75	785	
	1,00		9,8		29,7		19,83	119		
	1,60		15,7		41,6		31,83	191		
	2,00		19,6		49,0		39,83	239		
	2,50		24,5		61,2		49,67	298		
	0,63	1000	3,9	360x7x8	13,7		11,17	67	552	
	1,00		6,1		18,6		17,67	106		
	1,60		9,8		26,0		28,33	170		
	2,00		12,2		30,6		35,33	212		
	2,50		15,3		38,3		44,17	265		
	0,63	1275	4,9	360x8x8	17,4		11,17	67	704	
	1,00		7,8		23,7		17,67	106		
	1,60		12,5		33,2		28,33	170		
	2,00		15,6		39,0		35,33	212		
	2,50		19,5		48,8		44,17	265		
	0,63	1000	3,9	400x5x10	13,7		10,00	60	613	
	1,00		6,1		21,7		15,83	95		
	1,60		9,8		26,0		25,50	153		
	2,00		12,2		32,5		31,83	191		
2,50	15,3		38,3		39,83	239				
0,63	1275	4,9	400x6x10	17,4	10,00	60	782			
1,00		7,8		27,6	15,83	95				
1,60		12,5		33,2	25,50	153				
2,00		15,6		41,5	31,83	191				
2,50		19,5		48,8	39,83	239				



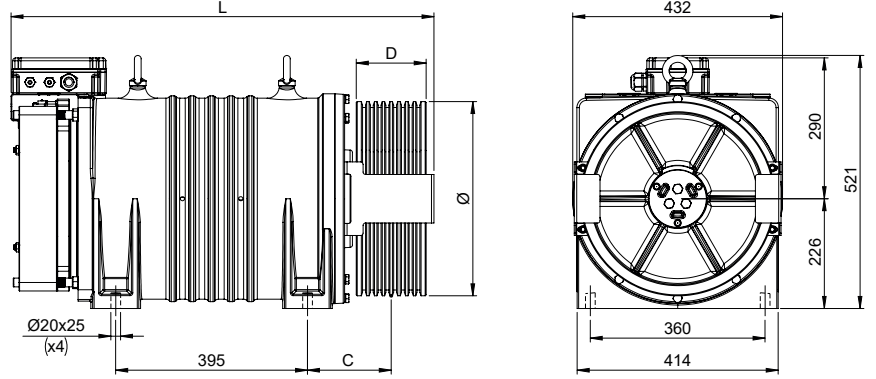
L	C	D	Ø
773,5	187,5	170	320*11-12*8
735	172,5	150	360*9-10*8
696	153,5	112	400*4-5-6*10

Askı Tipi 2:1 Ropping Type 2:1		Seyir Mesafesi 33 Metre Travel Distance 33 Meter		Statik Yük 9000 Kg Static Load 9000 Kg		IP 54 - İzolasyon Sınıfı F IP 54 - Isolation Class F			240St/h 240St/h	
Ürün Product	Hız Speed [m/s]	Kapasite Duty Load [kg]	Güç Power [kW]	Kasnak Sheave [mm]	Akım Current [A]	Kutup Poles	Frekans Frequency [Hz]	Devir Revolution [rpm]	Tork Torque [Nm]	Makine Ağırlığı Machine Weight [kg]
VOLPI MRL2-4	0,63	2000	7,7	320x12x8	23,8	20	12,50	75	981	385
	1,00		12,2		35,1		19,83	119		
	1,60		19,6		49,1		31,83	191		
	2,00		24,5		57,8		39,83	239		
	2,50		30,6		72,3		49,67	298		
	0,63	1600	6,2	360x9x8	21,9		11,17	67	883	
	1,00		9,8		29,7		17,67	106		
	1,60		15,7		41,6		28,33	170		
	2,00		19,6		49,0		35,33	212		
	2,50		24,5		61,2		44,17	265		
	0,63	1600	6,2	400x6x10	21,9		10,00	60	981	
	1,00		9,8		34,7		15,83	95		
	1,60		15,7		41,6		25,50	153		
	2,00		19,6		52,0		31,83	191		
	2,50		24,5		61,2		39,83	239		



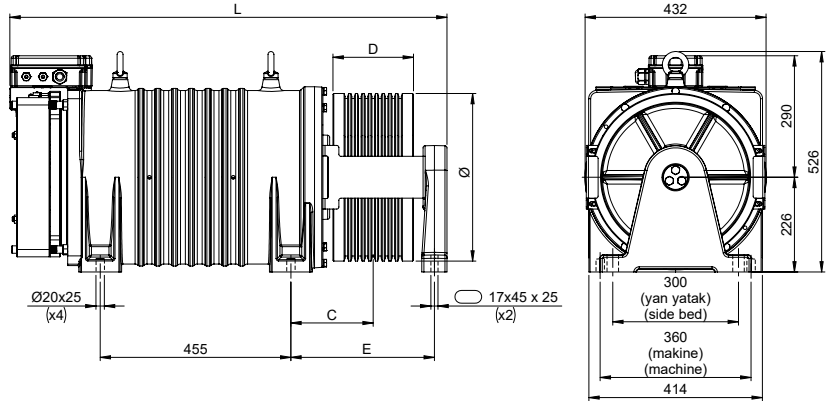
L	C	D	Ø
851	193,7	187	320x13-14x8
811	175,5	150	360x9-10-11x8
		144	400x7-8x10

Askı Tipi 2:1 Ropping Type 2:1		Seyir Mesafesi 33 Metre Travel Distance 33 Meter		Statik Yük 9000 Kg Static Load 9000 Kg		IP 54 - İzolasyon Sınıfı F IP 54 - Isolation Class F			240St/h 240St/h		
Ürün Product	Hız Speed [m/s]	Kapasite Duty Load [kg]	Güç Power [kW]	Kasnak Sheave [mm]	Akım Current [A]	Kutup Poles	Frekans Frequency [Hz]	Devir Revolution [rpm]	Tork Torque [Nm]	Makine Ağırlığı Machine Weight [kg]	
VOLPI MRL2-5	0,63	2500	9,6	320x14x8	29,8	20	12,50	75	1226	435	
	1,00		15,3		43,9		19,83	119			
	1,60		24,5		61,4		31,83	191			
	2,00		30,6		72,3		39,83	239			
	2,50		38,3		9,3		49,67	298			
	0,63	2000	7,7	360x11x8	23,8		11,17	67	1104		
	1,00		12,2		35,1		17,67	106			
	1,60		19,6		49,1		28,33	170			
	2,00		24,5		57,8		35,33	212			
	2,50		30,6		72,3		44,17	265			
	0,63	2000	7,7	400x8x10	23,8		10,00	60	1226		440
	1,00		12,2		37,8		15,83	95			
	1,60		19,6		49,1		25,50	153			
	2,00		24,5		61,4		31,83	191			
	2,50		30,6		72,3		39,83	239			



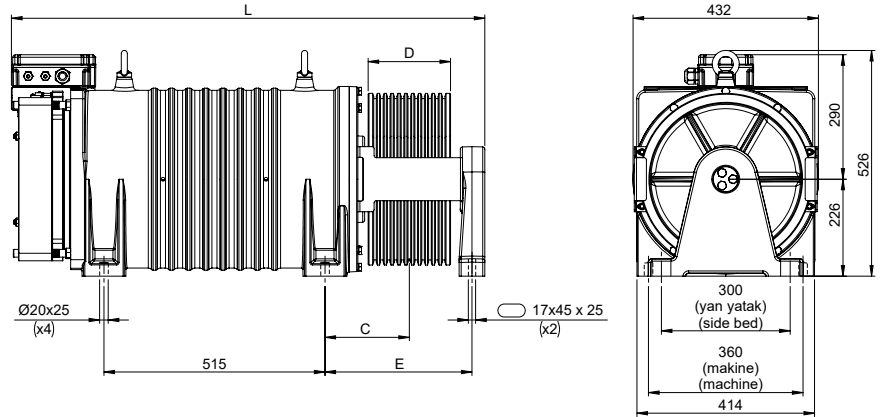
L	C	D	Ø
1030	217,5	252	320x17-18-19x8
916	195,5	190	360x12-13x8
	183,5	192	400x9-10-11x10

Askı Tipi 2:1 Ropping Type 2:1		Seyir Mesafesi 33 Metre Travel Distance 33 Meter		Statik Yük 9000 Kg Static Load 9000 Kg		IP 54 - İzolasyon Sınıfı F IP 54 - Isolation Class F			240St/h 240St/h	
Ürün Product	Hız Speed [m/s]	Kapasite Duty Load [kg]	Güç Power [kW]	Kasnak Sheave [mm]	Akım Current [A]	Kutup Poles	Frekans Frequency [Hz]	Devir Revolution [rpm]	Tork Torque [Nm]	Makine Ağırlığı Machine Weight [kg]
VOLPI MRL2-6	0,63	3000	11,6	320x17x8	35,7	20	12,50	75	1472	550
	1,00		18,4		52,7		19,83	119		
	1,60		29,4		73,7		31,83	191		
	2,00		36,7		86,7		39,83	239		
	2,50		45,9		108,4		49,67	298		
	0,63	2500	9,6	360x13x8	29,8		11,17	67	1380	
	1,00		15,3		43,9		17,67	106		
	1,60		24,5		61,4		28,33	170		
	2,00		30,6		72,3		35,33	212		
	2,50		38,3		90,3		44,17	265		
	0,63	2500	9,6	400x9x10	29,8		10,00	60	1533	
	1,00		15,3		47,3		15,83	95		
	1,60		24,5		61,4		25,50	153		
	2,00		30,6		76,8		31,83	191		
	2,50		38,3		90,3		39,83	239		



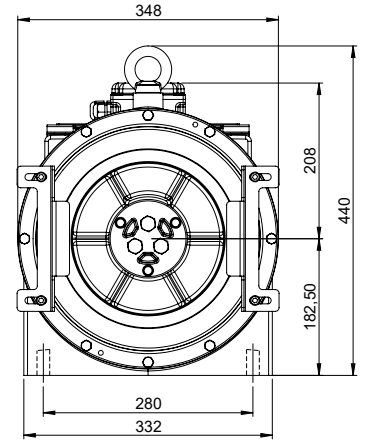
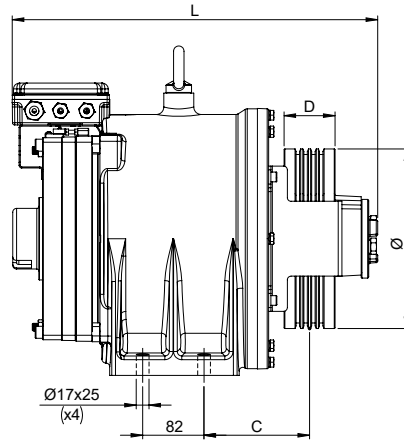
L	C	D	E	Ø
1085	217,5	252	384,5	320x17-19x8
1043	202	203	342,5	360x14-15x8
	196,5	192		400x-9-10-11x10

Askı Tipi 2:1 Ropping Type 2:1		Seyir Mesafesi 33 Metre Travel Distance 33 Meter		Statik Yük 12000 Kg Static Load 12000 Kg		IP 54 - İzolasyon Sınıfı F IP 54 - Isolation Class F			240St/h 240St/h		
Ürün Product	Hız Speed [m/s]	Kapasite Duty Load [kg]	Güç Power [kW]	Kasnak Sheave [mm]	Akım Current [A]	Kutup Poles	Frekans Frequency [Hz]	Devir Revolution [rpm]	Tork Torque [Nm]	Makine Ağırlığı Machine Weight [kg]	
VOLPI MRL2-7	0,63	3500	13,5	320x19x8	41,7	20	12,50	75	1717	600	
	1,00		21,4		61,4		19,83	119			
	1,60		34,3		86,0		31,83	191			
	2,00		42,8		101,2		39,83	239			
	2,50		53,6		126,5		49,67	298			
	0,63	3000	11,6	360x15x8	35,7		11,17	67	1655		
	1,00		18,4		52,7		17,67	106			
	1,60		29,4		73,7		28,33	170			
	2,00		36,7		86,7		35,33	212			
	2,50		45,9		108,4		44,17	265			
	0,63	3000	11,6	400x11x10	35,7		10,00	60	1839		610
	1,00		18,4		56,7		15,83	95			
	1,60		29,4		73,7		25,50	153			
	2,00		36,7		92,1		31,83	191			
	2,50		45,9		108,4		39,83	239			



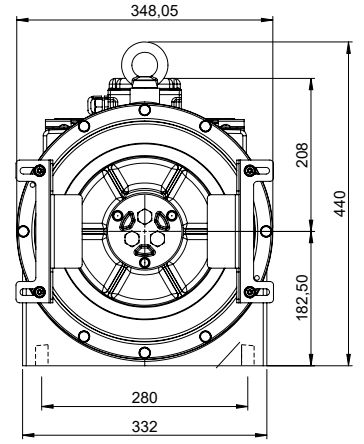
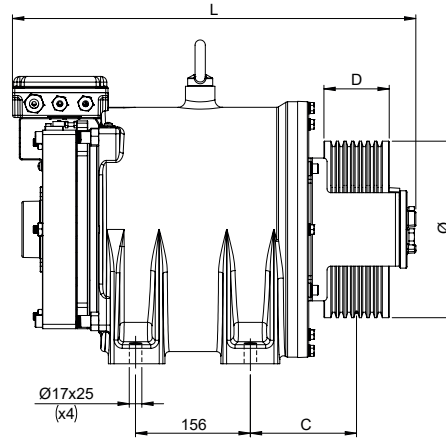
L	C	D	E	Ø
1145	217,5	270	384,5	360x16-17x8
1103	201,5	208	342,5	400x12x10

Askı Tipi 2:1 Ropping Type 2:1		Seyir Mesafesi 33 Metre Travel Distance 33 Meter		Statik Yük 12000 Kg Static Load 12000 Kg		IP 54 - İzolasyon Sınıfı F IP 54 - Isolation Class F			240St/h 240St/h	
Ürün Product	Hız Speed [m/s]	Kapasite Duty Load [kg]	Güç Power [kW]	Kaşnak Sheave [mm]	Akım Current [A]	Kutup Poles	Frekans Frequency [Hz]	Devir Revolution [rpm]	Tork Torque [Nm]	Makine Ağırlığı Machine Weight [kg]
VOLPI MRL2-8	0,63	3500	13,5	360x17x8	41,7	20	11,17	67	1931	650
	1,00		21,4		61,4		17,67	106		
	1,60		34,3		86,0		28,33	170		
	2,00		42,8		101,2		35,33	212		
	2,50		53,6		126,5		44,17	265		
	0,63	3500	13,5	400x12x10	41,7		10,00	60	2146	665
	1,00		21,4		66,2		15,83	95		
	1,60		34,3		86,0		25,50	153		
	2,00		42,8		107,5		31,83	191		
	2,50		53,6		126,5		39,83	239		



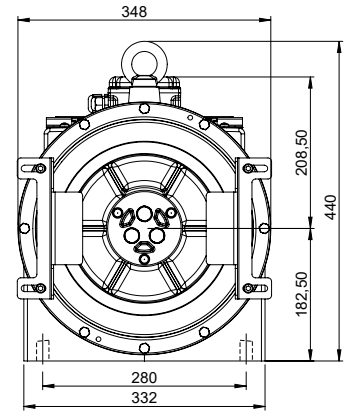
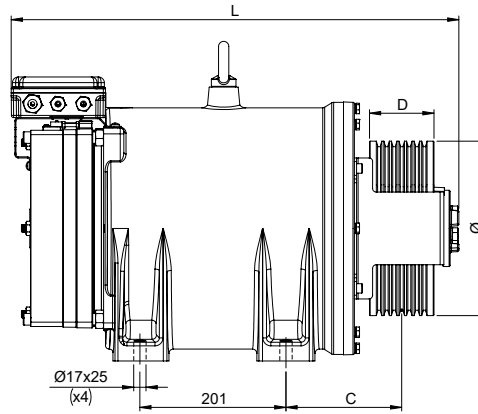
L	C	D	Ø
498	141	68	210*4-5-6*6,5
			240*4-5-6*6,5

Askı Tipi 2:1 Ropping Type 2:1		Seyir Mesafesi 51 Metre Travel Distance 51 Meter		Statik Yük 7000 Kg Static Load 7000 Kg		IP 54 - İzolasyon Sınıfı F IP 54 - Isolation Class F			240St/h 240St/h	
Ürün Product	Hız Speed [m/s]	Kapasite Duty Load [kg]	Güç Power [kW]	Kasnak Sheave [mm]	Akım Current [A]	Kutup Poles	Frekans Frequency [Hz]	Devir Revolution [rpm]	Tork Torque [Nm]	Makine Ağırlığı Machine Weight [kg]
AK1	0,63	320	1,2	210x5x6,5	3,7	20	19,17	115	103	150
	1,00		2,0		5,2		30,33	182		
	1,60		3,1		7,8		48,50	291		
	2,00		3,9		9,8		60,67	364		
	2,50		4,9		12,2		75,83	455		
	0,63	400	1,5		4,7		19,17	115	129	
	1,00		2,4		6,5		30,33	182		
	1,60		3,9		9,8		48,50	291		
	2,00		4,9		12,2		60,67	364		
	2,50		6,1		15,3		75,83	455		
	0,63	320	1,2	240x4x6,5	3,7	20	16,67	100	118	
	1,00		2,0		5,2		26,50	159		
	1,60		3,1		7,8		42,50	255		
	2,00		3,9		9,8		53,00	318		
	2,50		4,9		12,2		66,33	398		
	0,63	400	1,5		4,7		16,67	100	147	
	1,00		2,5		6,5		26,50	159		
	1,60		3,9		9,8		42,50	255		
	2,00		4,9		12,2		53,00	318		
	2,50		6,1		15,3		66,33	398		



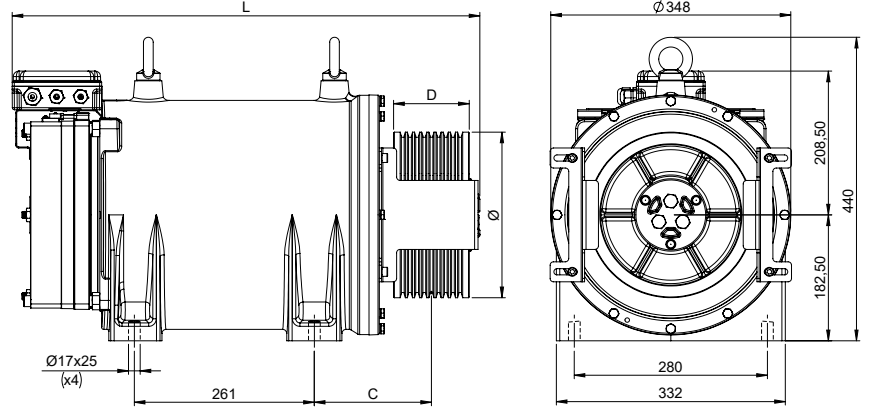
L	C	D	Ø
548,5	134	68	210*4-5-6*6,5
	144,4	88,8	210*7-8*6,5
	134	68	240*4-5-6*6,5
	144,4	88,8	240*7-8*6,5
	142	84	320*4-5-6*8

Askı Tipi 2:1 Ropping Type 2:1		Seyir Mesafesi 51 Metre Travel Distance 51 Meter		Statik Yük 7000 Kg Static Load 7000 Kg		IP 54 - İzolasyon Sınıfı F IP 54 - Isolation Class F			240St/h 240St/h		
Ürün Product	Hız Speed [m/s]	Kapasite Duty Load [kg]	Güç Power [kW]	Kasnak Sheave [mm]	Akım Current [A]	Kutup Poles	Frekans Frequency [Hz]	Devir Revolution [rpm]	Tork Torque [Nm]	Makine Ağırlığı Machine Weight [kg]	
AK2	0,63	480	1,9	210x6x6,5	5,6	20	19,17	115	155	155	
	1,00		2,9		7,8		30,33	182			
	1,60		4,7		11,8		48,50	291			
	2,00		5,9		14,7		60,67	364			
	2,50		7,3		18,4		75,83	455			
	0,63	630	2,4	210x7x6,5	7,4		19,17	115	203		180
	1,00		3,9		10,2		30,33	182			
	1,60		6,2		15,4		48,50	291			
	2,00		7,7		19,3		60,67	364			
	2,50		9,6		24,1		75,83	455			
	0,63	800	3,1	210x8x6,5	9,4		19,17	115	258		180
	1,00		4,9		13,0		30,33	182			
	1,60		7,8		19,6		48,50	291			
	2,00		9,8		24,5		60,67	364			
	2,50		12,2		30,6		75,83	455			
	0,63	480	1,9	240x5x6,5	5,6		16,67	100	177		180
	1,00		2,9		7,8		26,50	159			
	1,60		4,7		11,8		42,50	255			
	2,00		5,9		14,7		53,00	318			
	2,50		7,4		18,4		66,33	398			
	0,63	630	2,4	240x6x6,5	7,4		16,67	100	232		180
	1,00		3,9		10,2		26,50	159			
	1,60		6,2		15,4		42,50	255			
	2,00		7,7		19,3		53,00	318			
	2,50		9,6		24,1		66,33	398			
	0,63	800	3,1	240x7x6,5	9,4		16,67	100	294		180
	1,00		4,9		13,0		26,50	159			
	1,60		7,8		19,6		42,50	255			
	2,00		9,8		24,5		53,00	318			
	2,50		12,2		30,6		66,33	398			
	0,63	320	1,2	320x4x8	4,4		12,50	75	157		185
	1,00		2,0		5,9		19,83	119			
	1,60		3,1		8,3		31,83	191			
	2,00		3,9		9,8		39,83	239			
	2,50		4,9		12,2		49,67	298			
	0,63	400	1,5	320x4x8	5,5		12,50	75	196		185
	1,00		2,4		7,4		19,83	119			
	1,60		3,9		10,4		31,83	191			
	2,00		4,9		12,2		39,83	239			
	2,50		6,1		15,3		49,67	298			
	0,63	480	1,9	320x4x8	6,6		12,50	75	235		185
	1,00		2,9		8,9		19,83	119			
	1,60		4,7		12,5		31,83	191			
	2,00		5,9		14,7		39,83	239			
	2,50		7,3		18,4		49,67	298			
	0,63	630	2,4	320x5x8	8,6		12,50	75	309		185
	1,00		3,9		11,7		19,83	119			
	1,60		6,2		16,4		31,83	191			
2,00	7,7		19,3		39,83	239					
2,50	9,6		24,1		49,67	298					



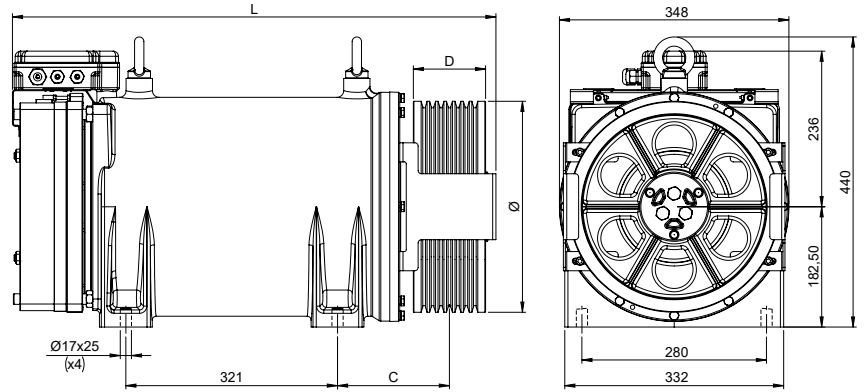
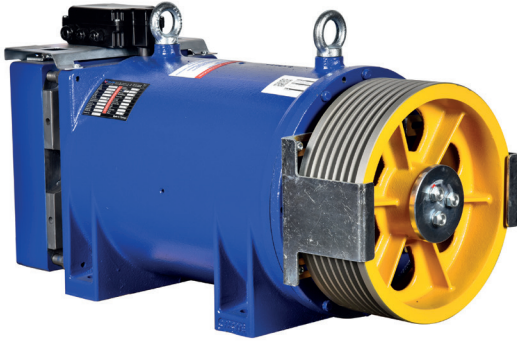
L	C	D	Ø
620	169,8	109,6	210*9-10*6,5
	159,4	88,8	240*7-8*6,5
	157	84	320*4-5-6*8

Askı Tipi 2:1 Ropping Type 2:1		Seyir Mesafesi 51 Metre Travel Distance 51 Meter		Statik Yük 7000 Kg Static Load 7000 Kg		IP 54 - İzolasyon Sınıfı F IP 54 - Isolation Class F			240St/h 240St/h	
Ürün Product	Hız Speed [m/s]	Kapasite Duty Load [kg]	Güç Power [kW]	Kasnak Sheave [mm]	Akım Current [A]	Kutup Poles	Frekans Frequency [Hz]	Devir Revolution [rpm]	Tork Torque [Nm]	Makine Ağırlığı Machine Weight [kg]
AK3	0,63	1000	3,9	210x9x6,5	11,7	20	19,17	115	322	210
	1,00		6,1		16,3		30,33	182		
	1,60		9,8		24,5		48,50	291		
	2,00		12,2		30,6		60,67	364		
	2,50		15,3		38,3		75,83	455		
	0,63	1275	4,9	210x11x6,5	14,9		19,17	115	410	
	1,00		7,8		20,7		30,33	182		
	1,60		12,5		31,2		48,50	291		
	2,00		15,6		39,0		60,67	364		
	2,50		19,5		48,8		75,83	455		
	0,63	1000	3,9	240x8x6,5	11,7		16,67	100	368	
	1,00		6,1		16,3		26,50	159		
	1,60		9,8		24,5		42,50	255		
	2,00		12,2		30,6		53,00	318		
	2,50		15,3		38,3		66,33	398		
	0,63	800	3,1	320x5x8	10,9		12,50	75	392	
	1,00		4,9		14,9		19,83	119		
	1,60		7,8		20,8		31,83	191		
	2,00		9,8		24,5		39,83	239		
	2,50		12,2		30,6		49,67	298		



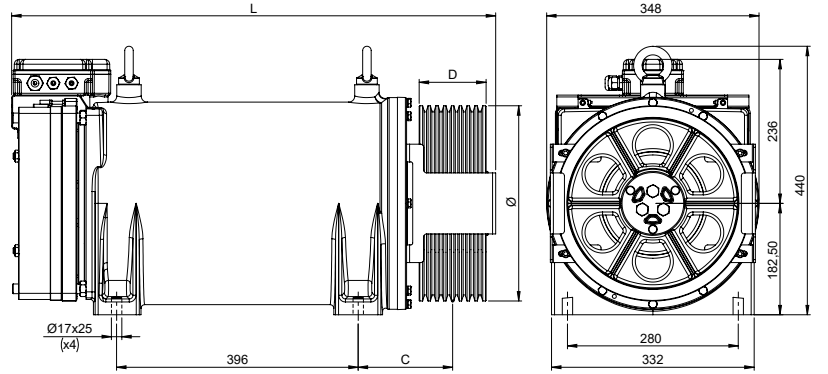
L	C	D	Ø
715	186,5	143	210*11-13*6,5
678	169,8	109,6	240*9-10*6,5
	157	84	320*4-5-6*8

Askı Tipi 2:1 Ropping Type 2:1		Seyir Mesafesi 51 Metre Travel Distance 51 Meter		Statik Yük 7000 Kg Static Load 7000 Kg		IP 54 - İzolasyon Sınıfı F IP 54 - Isolation Class F			240St/h 240St/h	
Ürün Product	Hız Speed [m/s]	Kapasite Duty Load [kg]	Güç Power [kW]	Kasnak Sheave [mm]	Akım Current [A]	Kutup Poles	Frekans Frequency [Hz]	Devir Revolution [rpm]	Tork Torque [Nm]	Makine Ağırlığı Machine Weight [kg]
AK4	0,63	1600	6,2	210x13x6,5	18,7	20	19,17	115	515	280
	1,00		9,8		26,0		30,33	182		
	1,60		15,7		39,2		48,50	291		
	2,00		19,6		49,0		60,67	364		
	2,50		24,5		61,2		75,83	455		
	0,63	1275	4,9	240x9x6,5	14,9		16,67	100	469	270
	1,00		7,8		20,7		26,50	159		
	1,60		12,5		31,2		42,50	255		
	2,00		15,6		39,0		53,00	318		
	2,50		19,5		48,8		66,33	398		
	0,63	1000	3,9	320x6x8	13,7		12,50	75	491	270
	1,00		6,1		18,6		19,83	119		
	1,60		9,8		26,0		31,83	191		
	2,00		12,2		30,6		39,83	239		
	2,50		15,3		38,3		49,67	298		



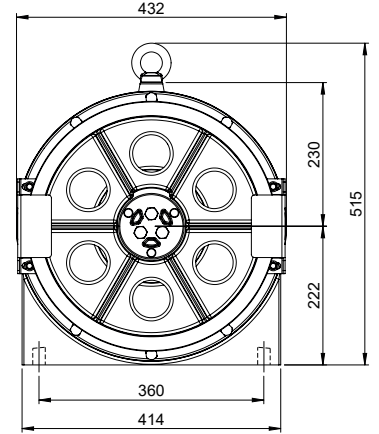
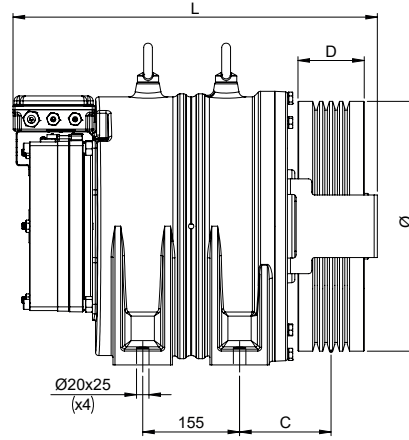
L	C	D	Ø
771	185,2	134,4	240*11-12*6,5
733	169,8	109,6	320*7-8*8

Askı Tipi 2:1 Ropping Type 2:1		Seyir Mesafesi 51 Metre Travel Distance 51 Meter		Statik Yük 7000 Kg Static Load 7000 Kg		IP 54 - İzolasyon Sınıfı F IP 54 - Isolation Class F			240St/h 240St/h	
Ürün Product	Hız Speed [m/s]	Kapasite Duty Load [kg]	Güç Power [kW]	Kasnak Sheave [mm]	Akım Current [A]	Kutup Poles	Frekans Frequency [Hz]	Devir Revolution [rpm]	Tork Torque [Nm]	Makine Ağırlığı Machine Weight [kg]
AK5	0,63	1600	6,2	240x11x6,5	18,7	20	16,67	100	589	305
	1,00		9,8		26,0		26,50	159		
	1,60		15,7		39,2		42,50	255		
	2,00		19,6		49,0		53,00	318		
	2,50		24,5		61,2		66,33	398		
	0,63	1275	4,9	320x7x8	17,4		12,50	75	625	
	1,00		7,8		23,7		19,83	119		
	1,60		12,5		33,2		31,83	191		
	2,00		15,6		39,0		39,83	239		
	2,50		19,5		48,8		49,67	298		



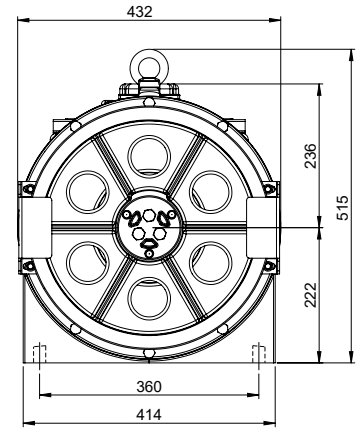
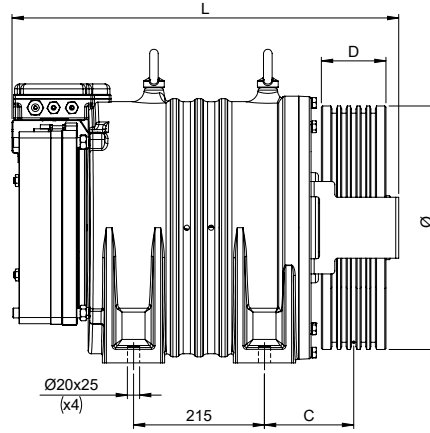
L	C	D	Ø
793	154,8	109,6	320*7-8*8

Askı Tipi 2:1 Ropping Type 2:1		Seyir Mesafesi 51 Metre Travel Distance 51 Meter		Statik Yük 7000 Kg Static Load 7000 Kg		IP 54 - İzolasyon Sınıfı F IP 54 - Isolation Class F			240St/h 240St/h	
Ürün Product	Hız Speed [m/s]	Kapasite Duty Load [kg]	Güç Power [kW]	Kasnak Sheave [mm]	Akım Current [A]	Kutup Poles	Frekans Frequency [Hz]	Devir Revolution [rpm]	Tork Torque [Nm]	Makine Ağırlığı Machine Weight [kg]
AK6	0,63	1600	6,2	320x8x8	21,9	20	12,50	75	785	330
	1,00		9,8		29,7		19,83	119		
	1,60		15,7		41,6		31,83	191		
	2,00		19,6		49,0		39,83	239		
	2,50		24,5		61,2		49,67	298		



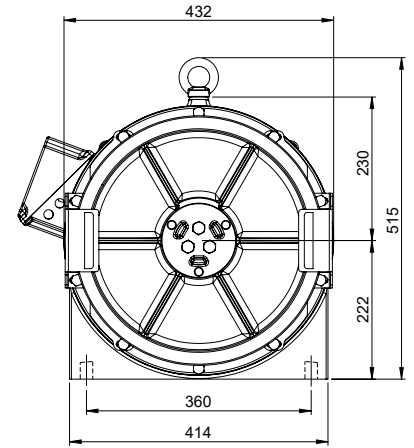
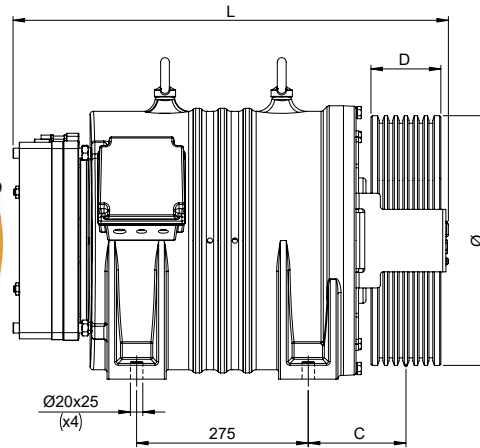
L	C	D	Ø
590	135,5	84	320*4-5-6*8
	148,3	109,6	320*7-8*8
	135,5	84	360*4-5-6*8
	146,5	106	400*4-5-6*10

Askı Tipi 2:1 Ropping Type 2:1		Seyir Mesafesi 51 Metre Travel Distance 51 Meter		Statik Yük 7000 Kg Static Load 7000 Kg		IP 54 - İzolasyon Sınıfı F IP 54 - Isolation Class F			240St/h 240St/h	
Ürün Product	Hız Speed [m/s]	Kapasite Duty Load [kg]	Güç Power [kW]	Kasnak Sheave [mm]	Akım Current [A]	Kutup Poles	Frekans Frequency [Hz]	Devir Revolution [rpm]	Tork Torque [Nm]	Makine Ağırlığı Machine Weight [kg]
AK2-2	0,63	630	2,4	320x6x8	8,6	20	12,50	75	309	260
	1,00		3,9		11,7		19,83	119		
	1,60		6,2		16,4		31,83	191		
	2,00		7,7		19,3		39,83	239		
	2,50		9,6		24,1		49,67	298		
	0,63	800	3,1	320x7x8	10,9		12,50	75	392	
	1,00		4,9		14,9		19,83	119		
	1,60		7,8		20,8		31,83	191		
	2,00		9,8		24,5		39,83	239		
	2,50		12,2		30,6		49,67	298		
	0,63	630	2,4	360x5x8	9,0		11,17	67	348	
	1,00		3,9		12,0		17,67	106		
	1,60		6,2		16,0		28,33	170		
	2,00		7,7		19,0		35,33	212		
	2,50		9,6		24,0		44,17	265		
	0,63	800	3,1	360x6x8	10,9		11,17	67	441	
	1,00		4,9		14,9		17,67	106		
	1,60		7,8		20,8		28,33	170		
	2,00		9,8		24,5		35,33	212		
	2,50		12,2		30,6		44,17	265		
0,63	630	2,4	400x4x10	8,6	10,00	60	386			
1,00		3,9		13,7	15,83	95				
1,60		6,2		16,4	25,50	153				
2,00		7,7		20,5	31,83	191				
2,50		9,6		24,1	39,83	239				



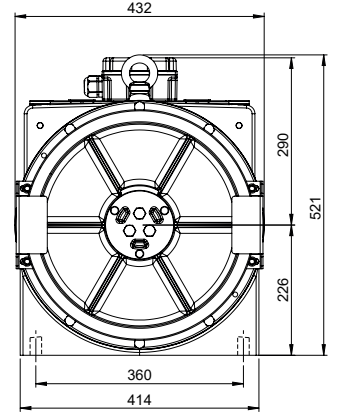
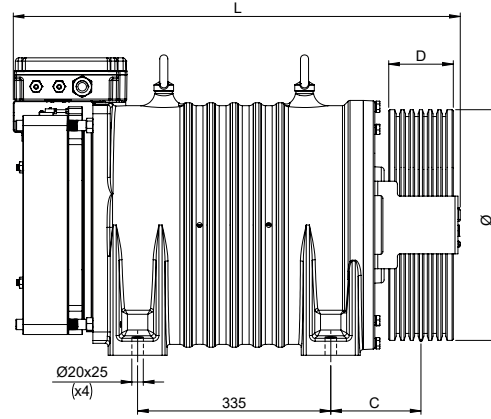
L	C	D	Ø
640	148,3	109,6	320*7-8*8
685	161	135,2	320*9-10*8
640	148,3	109,6	360*7-8*8
635	146,5	106	400*4-5-6*10

Askı Tipi 2:1 Ropping Type 2:1		Seyir Mesafesi 51 Metre Travel Distance 51 Meter		Statik Yük 7000 Kg Static Load 7000 Kg		IP 54 - İzolasyon Sınıfı F IP 54 - Isolation Class F			240St/h 240St/h	
Ürün Product	Hız Speed [m/s]	Kapasite Duty Load [kg]	Güç Power [kW]	Kasnak Sheave [mm]	Akım Current [A]	Kutup Poles	Frekans Frequency [Hz]	Devir Revolution [rpm]	Tork Torque [Nm]	Makine Ağırlığı Machine Weight [kg]
AK2-3	0,63	1000	3,9	320x8x8	13,7	20	12,50	75	491	310
	1,00		6,1		18,6		19,83	119		
	1,60		9,8		26,0		31,83	191		
	2,00		12,2		30,6		39,83	239		
	2,50		15,3		38,3		49,67	298		
	0,63	1275	4,9	320x10x8	17,4		12,50	75	625	
	1,00		7,8		23,7		19,83	119		
	1,60		12,5		33,2		31,83	191		
	2,00		15,6		39,0		39,83	239		
	2,50		19,5		48,8		49,67	298		
	0,63	1000	3,9	360x7x8	13,7		11,17	67	552	320
	1,00		6,1		18,6		17,67	106		
	1,60		9,8		26,0		28,33	170		
	2,00		12,2		30,6		35,33	212		
	2,50		15,3		38,3		44,17	265		
	0,63	800	3,1	400x5x10	10,9		10,00	60	491	330
	1,00		4,9		17,3		16,00	96		
	1,60		7,8		20,8		25,50	153		
	2,00		9,8		26,0		31,83	191		
	2,50		12,2		30,6		39,83	239		
0,63	1000	3,9	400x5x10	13,7	10,00	60	613			
1,00		6,1		21,7	15,83	95				
1,60		9,8		26,0	25,50	153				
2,00		12,2		32,5	31,83	191				
2,50		15,3		38,3	39,83	239				



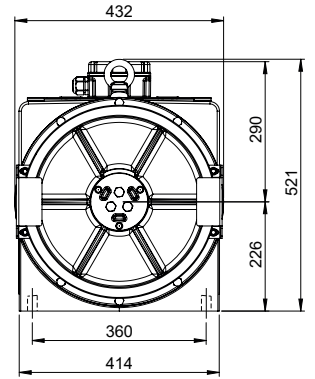
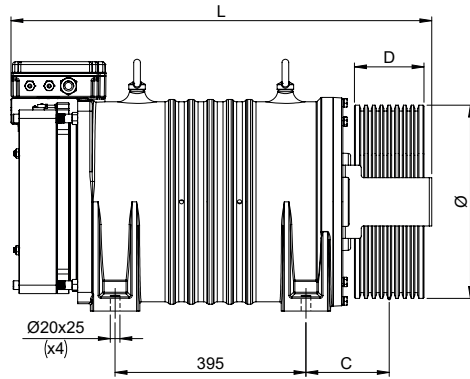
L	C	D	Ø
773,5	187,5	170	320*11-12*8
698	156,5	112	360*7-8*8
735	172,5	150	360*9-10*8
696	153,5	112	400*4-5-6*10

Askı Tipi 2:1 Ropping Type 2:1		Seyir Mesafesi 51 Metre Travel Distance 51 Meter		Statik Yük 12000 Kg Static Load 12000 Kg		IP 54 - İzolasyon Sınıfı F IP 54 - Isolation Class F			240St/h 240St/h	
Ürün Product	Hız Speed [m/s]	Kapasite Duty Load [kg]	Güç Power [kW]	Kasnak Sheave [mm]	Akım Current [A]	Kutup Poles	Frekans Frequency [Hz]	Devir Revolution [rpm]	Tork Torque [Nm]	Makine Ağırlığı Machine Weight [kg]
AK2-4	0,63	1600	6,2	320x11x8	19,1	20	12,50	75	785	385
	1,00		9,8		28,1		19,83	119		
	1,60		15,7		39,3		31,83	191		
	2,00		19,6		46,2		39,83	239		
	2,50		24,5		57,8		49,67	298		
	0,63	1275	4,9	360x8x8	15,2		11,17	67	704	395
	1,00		7,8		22,4		17,67	106		
	1,60		12,5		31,3		28,33	170		
	2,00		15,6		36,9		35,33	212		
	2,50		19,5		46,1		44,17	265		
	0,63	1600	6,2	360x9x8	19,1		11,17	67	883	395
	1,00		9,8		28,1		17,67	106		
	1,60		15,7		39,3		28,33	170		
	2,00		19,6		46,2		35,33	212		
	2,50		24,5		57,8		44,17	265		
	0,63	1275	4,9	400x6x10	15,2		10,00	60	782	395
	1,00		7,8		24,1		15,83	95		
	1,60		12,5		31,3		25,50	153		
	2,00		15,6		39,2		31,83	191		
	2,50		19,5		46,1		39,83	239		



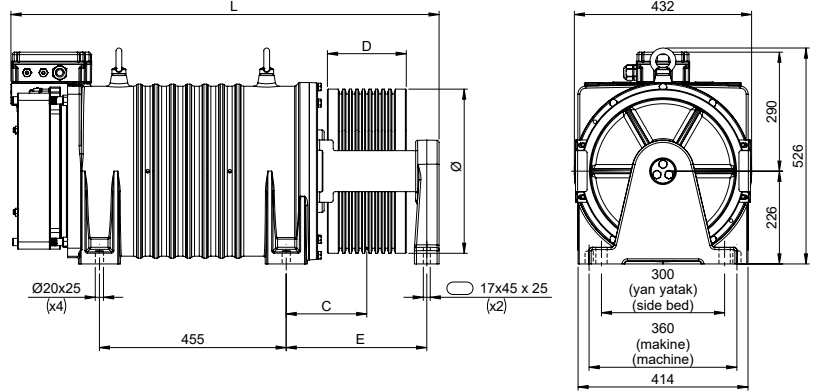
L	C	D	Ø
851	187,5	170	320x11-12x8
811	175,5	150	360x9-10-11x8
771	156,5	112	400x4-5-6x10

Askı Tipi 2:1 Ropping Type 2:1		Seyir Mesafesi 51 Metre Travel Distance 51 Meter		Statik Yük 12000 Kg Static Load 12000 Kg		IP 54 - İzolasyon Sınıfı F IP 54 - Isolation Class F			240St/h 240St/h	
Ürün Product	Hız Speed [m/s]	Kapasite Duty Load [kg]	Güç Power [kW]	Kasnak Sheave [mm]	Akım Current [A]	Kutup Poles	Frekans Frequency [Hz]	Devir Revolution [rpm]	Tork Torque [Nm]	Makine Ağırlığı Machine Weight [kg]
AK2-5	0,63	2000	7,7	320x12x8	23,8	20	12,50	75	981	425
	1,00		12,2		35,1		20,00	120		
	1,60		19,6		49,1		31,83	191		
	2,00		24,5		57,8		39,83	239		
	2,50		30,6		72,3		49,67	298		
	0,63	2000	7,7	360x11x8	23,8		11,17	67	1104	435
	1,00		12,2		35,1		17,67	106		
	1,60		19,6		49,1		28,33	170		
	2,00		24,5		57,8		35,33	212		
	2,50		30,6		72,3		44,17	265		
	0,63	1600	6,2	400x6x10	21,9		10,00	60	981	440
	1,00		9,8		34,7		15,83	95		
	1,60		15,7		41,6		25,50	153		
	2,00		19,6		52,0		31,83	191		
	2,50		24,5		61,1		39,83	239		



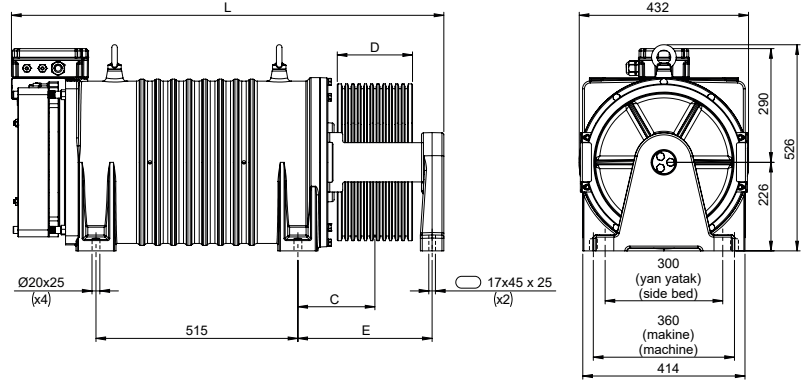
L	C	D	Ø
911	190,7	186,4	320x14x8
916	195,5	190	360x13x8
871	172,5	144	400x8x10

Askı Tipi 2:1 Ropping Type 2:1		Seyir Mesafesi 51 Metre Travel Distance 51 Meter		Statik Yük 9000 Kg Static Load 9000 Kg		IP 54 - İzolasyon Sınıfı F IP 54 - Isolation Class F			240St/h 240St/h	
Ürün Product	Hız Speed [m/s]	Kapasite Duty Load [kg]	Güç Power [kW]	Kasnak Sheave [mm]	Akım Current [A]	Kutup Poles	Frekans Frequency [Hz]	Devir Revolution [rpm]	Tork Torque [Nm]	Makine Ağırlığı Machine Weight [kg]
AK2-6	0,63	2500	9,6	320x14x8	29,8	20	12,50	75	1226	520
	1,00		15,3		43,9		19,83	119		
	1,60		24,5		61,4		31,83	191		
	2,00		30,6		72,3		39,83	239		
	2,50		38,3		90,3		49,67	298		
	0,63	2500	9,6	360x13x8	29,8		11,17	67	1380	525
	1,00		15,3		43,9		17,67	106		
	1,60		24,5		61,4		28,33	170		
	2,00		30,6		72,3		35,33	212		
	2,50		38,3		90,3		44,17	265		
	0,63	2000	7,7	400x8x10	23,8		10,00	60	1226	545
	1,00		12,2		37,8		15,83	95		
	1,60		19,6		49,1		25,50	153		
	2,00		24,5		61,4		31,83	191		
	2,50		30,6		72,3		39,83	239		



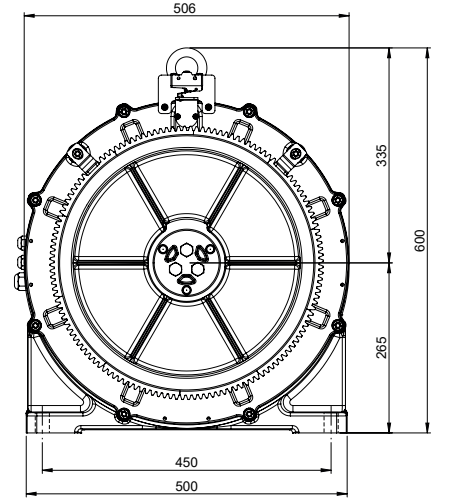
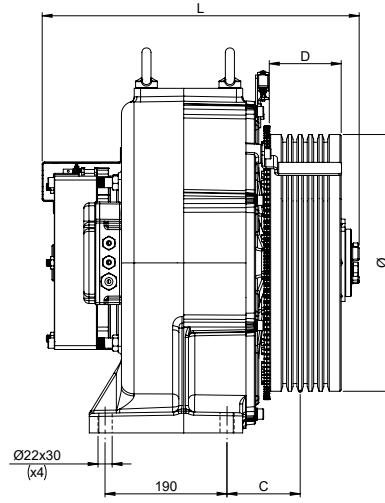
L	C	D	E	Ø
1085	217,5	252	384,5	320x17x8
1043	196,5	192	342,5	400x9x10

Askı Tipi 2:1 Ropping Type 2:1		Seyir Mesafesi 51 Metre Travel Distance 51 Meter		Statik Yük 9000 Kg Static Load 9000 Kg		IP 54 - İzolasyon Sınıfı F IP 54 - Isolation Class F			240St/h 240St/h	
Ürün Product	Hız Speed [m/s]	Kapasite Duty Load [kg]	Güç Power [kW]	Kasnak Sheave [mm]	Akım Current [A]	Kutup Poles	Frekans Frequency [Hz]	Devir Revolution [rpm]	Tork Torque [Nm]	Makine Ağırlığı Machine Weight [kg]
AK2-7	0,63	3000	11,4	320x17x8	35,7	20	12,50	75	1472	595
	1,00		18,4		52,7		19,83	119		
	1,60		29,4		73,7		31,83	191		
	2,00		36,7		86,7		39,83	239		
	2,50		45,9		108,4		49,67	298		
	0,63	2500	9,6	400x9x10	29,8		10,00	60	1533	615
	1,00		15,3		47,3		15,83	95		
	1,60		24,5		61,4		25,50	153		
	2,00		30,6		76,8		31,83	191		
	2,50		38,3		90,3		39,83	239		



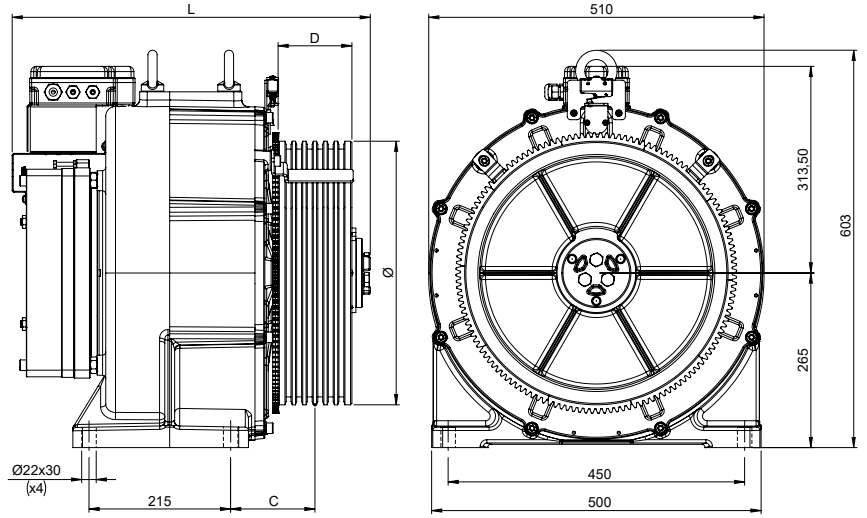
L	C	D	E	Ø
1145	217,5	252	384,5	320x19x8
1103	202,1	203	342,5	360x15x8
	196,5	192		400x11x10

Askı Tipi 2:1 Ropping Type 2:1		Seyir Mesafesi 51 Metre Travel Distance 51 Meter		Statik Yük 9000 Kg Static Load 9000 Kg		IP 54 - İzolasyon Sınıfı F IP 54 - Isolation Class F			240St/h 240St/h	
Ürün Product	Hız Speed [m/s]	Kapasite Duty Load [kg]	Güç Power [kW]	Kasnak Sheave [mm]	Akım Current [A]	Kutup Poles	Frekans Frequency [Hz]	Devir Revolution [rpm]	Tork Torque [Nm]	Makine Ağırlığı Machine Weight [kg]
AK2-8	0,63	3500	13,5	320x19x8	41,7	20	12,50	75	1717	640
	1,00		21,4		61,4		19,83	119		
	1,60		34,3		86,0		31,83	191		
	2,00		42,9		101,2		39,83	239		
	2,50		53,6		126,5		49,67	298		
	0,63	3000	11,6	360x15x8	35,7		11,17	67	1655	
	1,00		18,4		52,7		17,67	106		
	1,60		29,4		73,7		28,33	170		
	2,00		36,7		86,7		35,33	212		
	2,50		45,9		108,4		44,17	265		
	0,63	3000	11,6	400x11x10	35,7		10,00	60	1839	
	1,00		18,4		56,7		15,83	95		
1,60	29,4		73,7		25,50	153				
2,00	36,7		92,1		31,83	191				
2,50	45,9		108,4		39,83	239				



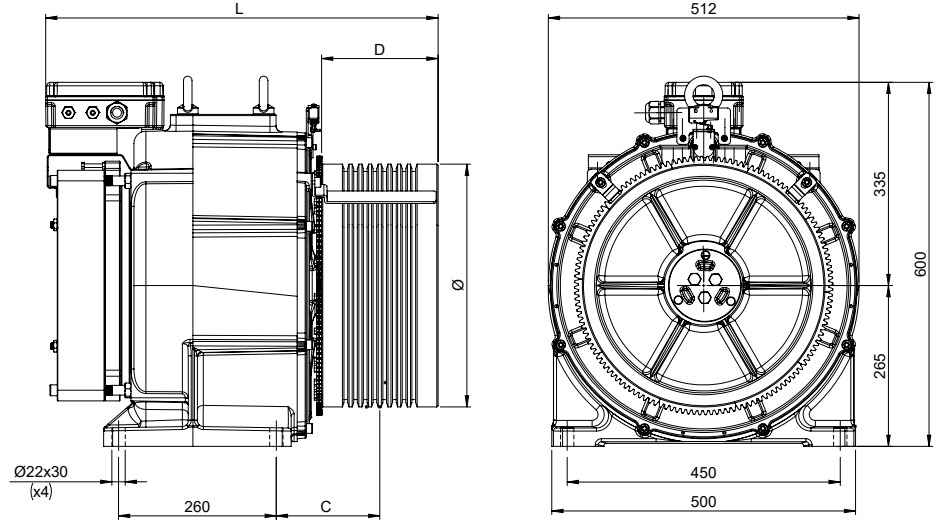
L	C	D	Ø
494	114	112	400x4-5-6x10

Askı Tipi 2:1 Ropping Type 2:1		Seyir Mesafesi 51 Metre Travel Distance 51 Meter		Statik Yük 7000 Kg Static Load 7000 Kg		IP 54 - İzolasyon Sınıfı F IP 54 - Isolation Class F			240St/h 240St/h	
Ürün Product	Hız Speed [m/s]	Kapasite Duty Load [kg]	Güç Power [kW]	Kasnak Sheave [mm]	Akım Current [A]	Kutup Poles	Frekans Frequency [Hz]	Devir Revolution [rpm]	Tork Torque [Nm]	Makine Ağırlığı Machine Weight [kg]
AKD1	0,63	630	2,4	400x4x10	7,4	30	15,04	60	386	200
	1,00		3,9		10,9		23,87	95		
	1,60		6,2		15,4		38,20	153		
	2,00		7,7		19,3		47,75	191		
	2,50		9,6		24,1		59,68	239		
	0,63	800	3,1	400x5x10	9,4	15,04	60	491		
	1,00		4,9		13,9	23,87	95			
	1,60		7,8		19,6	38,20	153			
	2,00		9,8		24,5	47,75	191			
	2,50		12,2		30,6	59,68	239			
	0,63	1000	3,9	400x5x10	11,7	15,04	60	613		
	1,00		6,1		17,3	23,87	95			
	1,60		9,8		24,5	38,20	153			
	2,00		12,2		30,6	47,75	191			
	2,50		15,3		38,3	59,68	239			



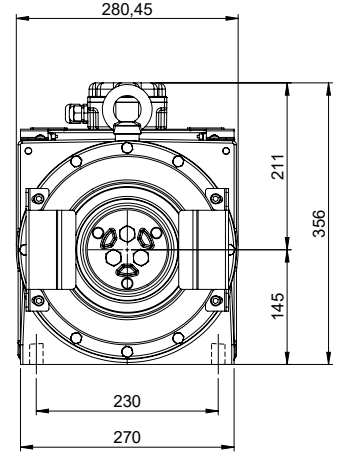
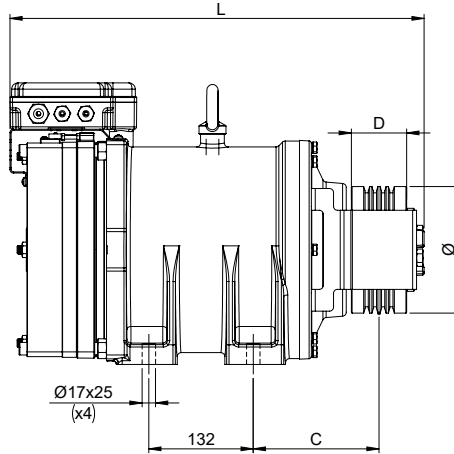
L	C	D	Ø
555	155	135	320x10x8
			360x9x8
545	128	112	400x6x10

Askı Tipi 2:1 Ropping Type 2:1		Seyir Mesafesi 51 Metre Travel Distance 51 Meter		Statik Yük 7000 Kg Static Load 7000 Kg		IP 54 - İzolasyon Sınıfı F IP 54 - Isolation Class F			240St/h 240St/h	
Ürün Product	Hız Speed [m/s]	Kapasite Duty Load [kg]	Güç Power [kW]	Kasnak Sheave [mm]	Akım Current [A]	Kutup Poles	Frekans Frequency [Hz]	Devir Revolution [rpm]	Tork Torque [Nm]	Makine Ağırlığı Machine Weight [kg]
AKD2	0,63	1275	4,9	400x6x10	14,9	30	15,04	60	782	255
	1,00		7,8		22,1		23,87	95		
	1,60		12,5		31,2		38,20	153		
	2,00		15,6		39,0		47,75	191		
	2,50		19,5		48,8		59,68	239		



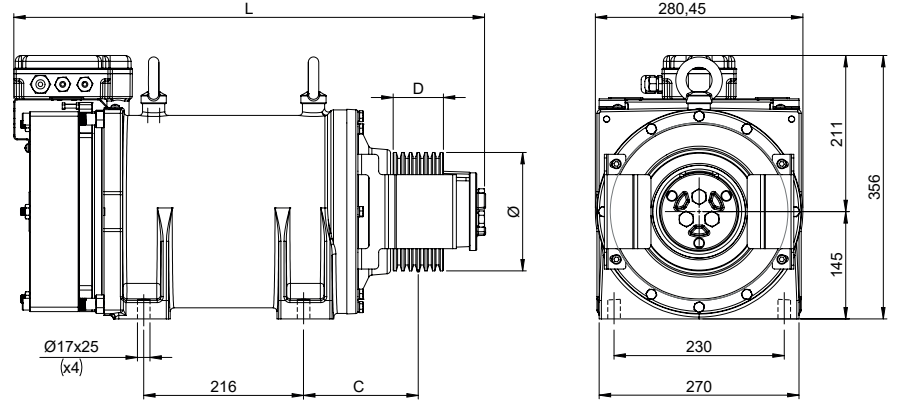
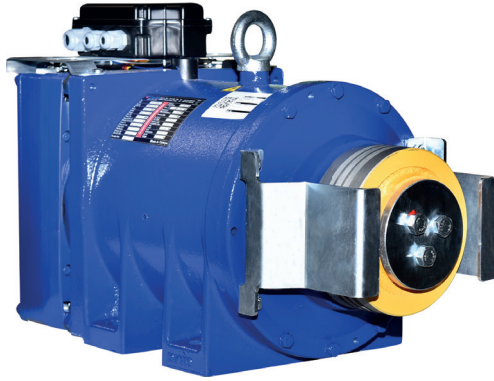
L	C	D	Ø
644,5	179,5	170	320x11-12x8
624,5	169,5	150	360x9-10-11x8
596,5	148,5	112	400x6x10
646,5	170,5	192	400x7-8-9-10-11x10

Askı Tipi 2:1 Ropping Type 2:1		Seyir Mesafesi 51 Metre Travel Distance 51 Meter		Statik Yük 9000 Kg Static Load 9000 Kg		IP 54 - İzolasyon Sınıfı F IP 54 - Isolation Class F			240St/h 240St/h	
Ürün Product	Hız Speed [m/s]	Kapasite Duty Load [kg]	Güç Power [kW]	Kasnak Sheave [mm]	Akım Current [A]	Kutup Poles	Frekans Frequency [Hz]	Devir Revolution [rpm]	Tork Torque [Nm]	Makine Ağırlığı Machine Weight [kg]
AKD3	0,63	1600	6,2	400x6x10	18,7	30	15,04	60	981	305
	1,00		9,8		27,7		23,87	95		
	1,60		15,7		39,2		38,20	153		
	2,00		19,6		49,0		47,75	191		
	2,50		24,5		61,2		59,68	239		
	0,63	2000	7,7	400x8x10	23,4		15,04	60	1226	
	1,00		12,2		34,7		23,87	95		
	1,60		19,6		49,0		38,20	153		
	2,00		24,5		61,2		47,75	191		
	2,50		30,6		76,5		59,68	239		



L	C	D	Ø
523,5	159	68	120x4-5-6x6,5
			140x4-5-6x6,5
			160x4-5-6x6,5

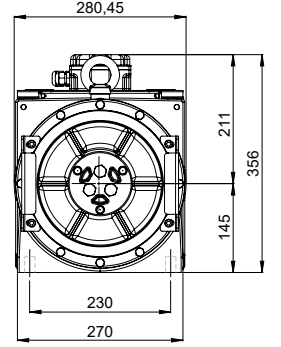
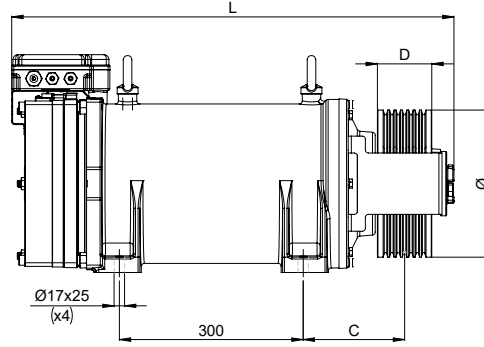
Askı Tipi 2:1 Ropping Type 2:1		Seyir Mesafesi 33 Metre Travel Distance 33 Meter		Statik Yük 3000 Kg Static Load 3000 Kg		IP 54 - İzolasyon Sınıfı F IP 54 - Isolation Class F			240St/h 240St/h	
Ürün Product	Hız Speed [m/s]	Kapasite Duty Load [kg]	Güç Power [kW]	Kasnak Sheave [mm]	Akım Current [A]	Kutup Poles	Frekans Frequency [Hz]	Devir Revolution [rpm]	Tork Torque [Nm]	Makine Ağırlığı Machine Weight [kg]
S100	0,63	320	1,2	120x4x6,5	3,1	20	33,42	201	59	190
	1,00		2,0		4,9		53,05	318		
	1,60		3,1		7,8		84,88	509		
	2,00		3,9		9,8		106,10	637		
	2,50		4,9		12,2		132,63	796		
	0,63	400	1,5	120x4x6,5	3,9		33,42	201	74	
	1,00		2,4		6,1		53,05	318		
	1,60		3,9		9,8		84,88	509		
	2,00		4,9		12,2		106,10	637		
	2,50		6,1		15,3		132,63	796		
	0,63	480	1,9	120x4x6,5	4,6		33,42	201	88	
	1,00		2,9		7,3		53,05	318		
	1,60		4,7		11,8		84,88	509		
	2,00		5,9		14,7		106,10	637		
	2,50		7,3		18,4		132,63	796		
	0,63	320	1,2	140x4x6,5	3,3		28,65	172	69	
	1,00		2,0		4,9		45,47	273		
	1,60		3,1		7,8		72,76	437		
	2,00		3,9		9,8		90,95	546		
	2,50		4,9		12,2		113,68	682		
	0,63	400	1,5	140x4x6,5	4,1		28,65	172	86	
	1,00		2,4		6,1		45,47	273		
	1,60		3,9		9,8		72,76	437		
	2,00		4,9		12,2		90,95	546		
	2,50		6,1		15,3		113,68	682		
	0,63	320	1,2	160x4x6,5	3,3		25,07	150	78	
	1,00		2,0		4,9		39,79	239		
	1,60		3,1		7,8		63,66	382		
2,00	3,9		9,8		79,58	477				
2,50	4,9		12,2		99,47	597				
0,63	400	1,5	160x4x6,5	4,1	25,07	150	98			
1,00		2,4		6,1	39,79	239				
1,60		3,9		9,8	63,66	382				
2,00		4,9		12,2	79,58	477				
2,50		6,1		15,3	99,47	597				



L	C	D	Ø
637,5	155,5	68	120x4-5-6x6,5
			140x4-5-6x6,5
			210x4-5-6x6,5
		88,8	210x7-8x6,5
		68	240x4-5-6x6,5
84	320x4-5-6x8		

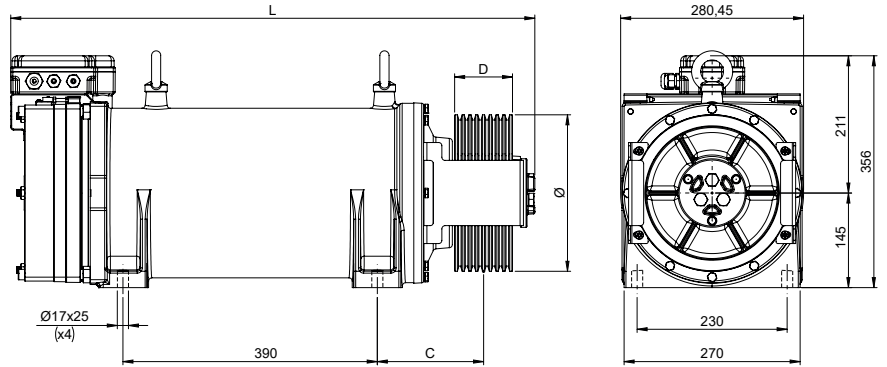
Askı Tipi 2:1 Ropping Type 2:1		Seyir Mesafesi 33 Metre Travel Distance 33 Meter		Statik Yük 4000 Kg Static Load 4000 Kg		IP 54 - İzolasyon Sınıfı F IP 54 - Isolation Class F			240St/h 240St/h	
Ürün Product	Hız Speed [m/s]	Kapasite Duty Load [kg]	Güç Power [kW]	Kasnak Sheave [mm]	Akım Current [A]	Kutup Poles	Frekans Frequency [Hz]	Devir Revolution [rpm]	Tork Torque [Nm]	Makine Ağırlığı Machine Weight [kg]
S200	0,63	630	2,4	120x4x6,5	6,1	20	33,42	201	116	205
	1,00		3,9		9,6		53,05	318		
	1,60		6,2		15,4		84,88	509		
	2,00		7,7		19,3		106,10	637		
	2,50		9,6		24,1		132,63	796		
	0,63	800	3,1	120x5x6,5	7,7		33,42	201	147	
	1,00		4,9		12,2		53,05	318		
	1,60		7,8		19,6		84,88	509		
	2,00		9,8		24,5		106,10	637		
	2,50		12,2		30,6		132,63	796		
	0,63	1000	3,9	120x6x6,5	9,6		33,42	201	184	
	1,00		6,1		15,3		53,05	318		
	1,60		9,8		24,5		84,88	509		
	2,00		12,2		30,6		106,10	637		
	2,50		15,3		38,3		132,63	796		
	0,63	1275	4,9	120x7x6,5	12,3		33,42	201	235	
	1,00		7,8		19,5		53,05	318		
	1,60		12,5		31,2		84,88	509		
	2,00		15,6		39,0		106,10	637		
	2,50		19,5		48,8		132,63	796		
	0,63	480	1,9	140x4x6,5	4,9		28,65	172	103	
	1,00		2,9		7,3		45,47	273		
	1,60		4,7		11,8		72,76	437		
	2,00		5,9		14,7		90,95	546		
	2,50		7,3		18,4		113,68	682		
	0,63	630	2,4	140x5x6,5	6,5		28,65	172	135	
	1,00		3,9		9,6		45,47	273		
	1,60		6,2		15,4		72,76	437		
	2,00		7,7		19,3		90,95	546		
	2,50		9,6		24,1		113,68	682		
	0,63	800	3,1	140x6x6,5	8,2		28,65	172	172	
	1,00		4,9		12,2		45,47	273		
	1,60		7,8		19,6		72,76	437		
	2,00		9,8		24,5		90,95	546		
	2,50		12,2		30,6		113,68	682		
	0,63	1000	3,9	140x7x6,5	10,2		28,65	172	215	
1,00	6,1		15,3		45,47	273				
1,60	9,8		24,5		72,76	437				
2,00	12,2		30,6		90,95	546				
2,50	15,3		38,3		113,68	682				
0,63	320	1,2	210x5x6,5	3,7	19,10	115	103			
1,00		2,0		5,2	30,32	182				
1,60		3,1		7,8	48,50	291				
2,00		3,9		9,8	60,63	364				
2,50		4,9		12,2	75,79	455				

Askı Tipi 2:1 Ropping Type 2:1		Seyir Mesafesi 33 Metre Travel Distance 33 Meter		Statik Yük 4000 Kg Static Load 4000 Kg		IP 54 - İzolasyon Sınıfı F IP 54 - Isolation Class F			240St/h 240St/h	
Ürün Product	Hız Speed [m/s]	Kapasite Duty Load [kg]	Güç Power [kW]	Kasnak Sheave [mm]	Akım Current [A]	Kutup Poles	Frekans Frequency [Hz]	Devir Revolution [rpm]	Tork Torque [Nm]	Makine Ağırlığı Machine Weight [kg]
S200	0,63	400	1,5	210x5x6,5	4,7	20	19,10	115	129	205
	1,00		2,4		6,5		30,32	182		
	1,60		3,9		9,8		48,50	291		
	2,00		4,9		12,2		60,63	364		
	2,50		6,1		15,3		75,79	455		
	0,63	480	1,9	210x6x6,5	5,6		19,10	115	155	
	1,00		2,9		7,8		30,32	182		
	1,60		4,7		11,8		48,50	291		
	2,00		5,9		14,7		60,63	364		
	2,50		7,3		18,4		75,79	455		
	0,63	630	2,4	210x7x6,5	7,4		19,10	115	203	
	1,00		3,9		10,2		30,32	182		
	1,60		6,2		15,4		48,50	291		
	2,00		7,7		19,3		60,63	364		
	2,50		9,6		24,1		75,79	455		
	0,63	320	1,2	240x4x6,5	3,7		16,71	100	118	
	1,00		2,0		5,2		26,53	159		
	1,60		3,1		7,8		42,44	255		
	2,00		3,9		9,8		53,05	318		
	2,50		4,9		12,2		66,31	398		
	0,63	400	1,5	240x4x6,5	4,7		16,71	100	147	
	1,00		2,4		6,5		26,53	159		
	1,60		3,9		9,8		42,44	255		
	2,00		4,9		12,2		53,05	318		
	2,50		6,1		15,3		66,31	398		
	0,63	480	1,9	240x5x6,5	5,6		16,71	100	177	
	1,00		2,9		7,8		26,53	159		
	1,60		4,7		11,8		42,44	255		
	2,00		5,9		14,7		53,05	318		
	2,50		7,3		18,4		66,31	398		
	0,63	630	2,4	240x6x6,5	7,4		16,71	100	232	
	1,00		3,9		10,2		26,53	159		
	1,60		6,2		15,4		42,44	255		
	2,00		7,7		19,3		53,05	318		
	2,50		9,6		24,1		66,31	398		
	0,63	320	1,2	320x4x8	4,4		12,53	75	157	
	1,00		2,0		5,9		19,89	119		
	1,60		3,1		8,3		31,83	191		
	2,00		3,9		9,8		39,79	239		
	2,50		4,9		12,2		49,74	298		
	0,63	400	1,5	320x4x8	5,5		12,53	75	196	
	1,00		2,4		7,4		19,89	119		
	1,60		3,9		10,4		31,83	191		
	2,00		4,9		12,2		39,79	239		
	2,50		6,1		15,3		49,74	298		
	0,63	480	1,9	320x4x8	6,6		12,53	75	235	
	1,00		2,9		8,9		19,89	119		
	1,60		4,7		12,5		31,83	191		
2,00	5,9		14,7		39,79	239				
2,50	7,3		18,4		49,74	298				



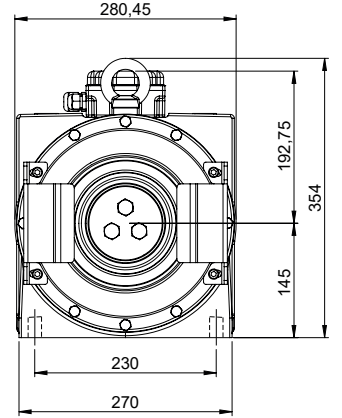
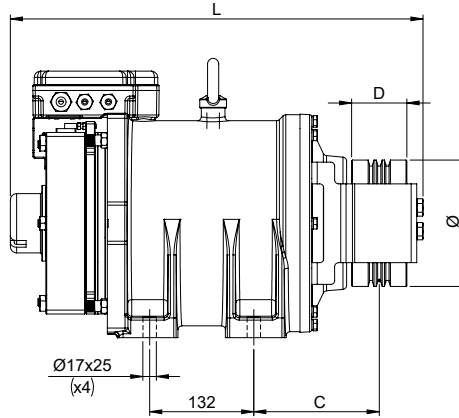
L	C	D	Ø
721,5	165,5	88,8	210x7-8x6,5
	176	109,6	210x9-10x6,5
	165,5	88,8	240x7-8x6,5
	163	84	320x5x8

Askı Tipi 2:1 Ropping Type 2:1		Seyir Mesafesi 33 Metre Travel Distance 33 Meter		Statik Yük 5000 Kg Static Load 5000 Kg		IP 54 - İzolasyon Sınıfı F IP 54 - Isolation Class F			240St/h 240St/h	
Ürün Product	Hız Speed [m/s]	Kapasite Duty Load [kg]	Güç Power [kW]	Kasnak Sheave [mm]	Akım Current [A]	Kutup Poles	Frekans Frequency [Hz]	Devir Revolution [rpm]	Tork Torque [Nm]	Makine Ağırlığı Machine Weight [kg]
S300	0,63	800	3,1	210x8x6,5	9,4	20	19,10	115	258	220
	1,00		4,9		13,0		30,32	182		
	1,60		7,8		19,6		48,50	291		
	2,00		9,8		24,5		60,63	364		
	2,50		12,2		30,6		75,79	455		
	0,63	1000	3,9	210x9x6,5	11,7		19,10	115	322	
	1,00		6,1		16,3		30,32	182		
	1,60		9,8		24,5		48,50	291		
	2,00		12,2		30,6		60,63	364		
	2,50		15,3		38,3		75,79	455		
	0,63	800	3,1	240x7x6,5	9,4	16,71	100	294		
	1,00		4,9		13,0	26,53	159			
	1,60		7,8		19,6	42,44	255			
	2,00		9,8		24,5	53,05	318			
	2,50		12,2		30,6	66,31	398			
	0,63	630	2,4	320x5x8	8,6	12,53	75	309		
	1,00		3,9		11,7	19,89	119			
	1,60		6,2		16,4	31,83	191			
	2,00		7,7		19,3	39,79	239			
	2,50		9,6		24,1	49,74	298			



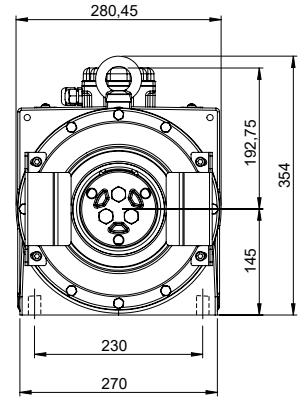
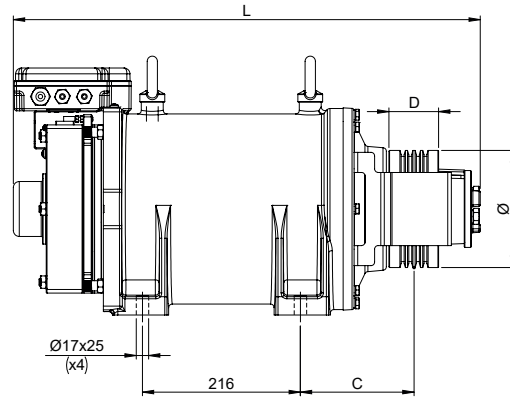
L	C	D	Ø
834	190	143	210x11-12-13x6,5
804	163	88,8	240x7-8x6,5
807	173	109,6	240x9-10x6,5
804	160,5	84	320x4-5-6x8

Askı Tipi 2:1 Ropping Type 2:1		Seyir Mesafesi 33 Metre Travel Distance 33 Meter		Statik Yük 7000 Kg Static Load 7000 Kg		IP 54 - İzolasyon Sınıfı F IP 54 - Isolation Class F			240St/h 240St/h	
Ürün Product	Hız Speed [m/s]	Kapasite Duty Load [kg]	Güç Power [kW]	Kasnak Sheave [mm]	Akım Current [A]	Kutup Poles	Frekans Frequency [Hz]	Devir Revolution [rpm]	Tork Torque [Nm]	Makine Ağırlığı Machine Weight [kg]
S400	0,63	1275	4,9	210x11x6,5	14,9	20	19,10	115	410	235
	1,00		7,8		20,7		30,32	182		
	1,60		12,5		31,2		48,50	291		
	2,00		15,6		39,0		60,63	364		
	2,50		19,5		48,8		75,79	455		
	0,63	1000	3,9	240x8x6,5	11,7		16,71	100	368	
	1,00		6,1		16,3		26,53	159		
	1,60		9,8		24,5		42,44	255		
	2,00		12,2		30,6		53,05	318		
	2,50		15,3		38,3		66,31	398		
	0,63	1275	4,9	240x9x6,5	14,9		16,71	100	469	
	1,00		7,8		20,7		26,53	159		
	1,60		12,5		31,2		42,44	255		
	2,00		15,6		39,0		53,05	318		
	2,50		19,5		48,8		66,31	398		
	0,63	800	3,1	320x5x8	10,9		12,53	75	392	
	1,00		4,9		14,9		19,89	119		
	1,60		7,8		20,8		31,83	191		
	2,00		9,8		24,5		39,79	239		
	2,50		12,2		30,6		49,74	298		



L	C	D	Ø
523	159	68	120*3-4-5*6,5
			140*3-4-5*6,5
			160*3-4-5*6,5

Askı Tipi 2:1 Ropping Type 2:1		Seyir Mesafesi 10 Metre Travel Distance 10 Meter		Statik Yük 3000 Kg Static Load 3000 Kg		IP 54 - İzolasyon Sınıfı F IP 54 - Isolation Class F			240St/h 240St/h	
Ürün Product	Hız Speed [m/s]	Kapasite Duty Load [kg]	Güç Power [kW]	Kasnak Sheave [mm]	Akım Current [A]	Kutup Poles	Frekans Frequency [Hz]	Devir Revolution [rpm]	Tork Torque [Nm]	Makine Ağırlığı Machine Weight [kg]
HS100	0,15	320	0,3	120*3*6,5	3,5	20	8,00	48	68	190
	0,30		0,6		3,8		15,83	95	74	
	0,40		0,8		3,9		21,17	127	59	
	0,15	320	0,3	140*3*6,5	3,7		6,83	41	80	
	0,30		0,6		4,0		13,67	82	69	
	0,40		0,8		4,1		18,17	109	69	
	0,15	320	0,3	160*3*6,5	3,8		6,00	36	91	
	0,30		0,6		4,3		12,00	72	78	
	0,40		0,8		4,3		15,83	95	78	
	0,15	400	0,4	120*3*6,5	4,4		8,00	48	85	
	0,30		0,7		4,7		15,83	95	74	
	0,40		1,0		4,9		21,17	127	74	
	0,15	400	0,4	160*3*6,5	4,6		6,83	41	100	
	0,30		0,7		5,0		13,67	82	86	
	0,40		1,0		5,1		18,17	109	86	
	0,15	400	0,4	120*4*6,5	4,8		6,00	36	114	
	0,30		0,9		5,7		12,00	72	98	
	0,40		1,2		5,9		15,83	95	98	
	0,15	480	0,5	140*4*6,5	5,2		8,00	48	102	
	0,30		0,9		5,7		15,83	95	88	
	0,40		1,2		5,9		21,17	127	88	
	0,15	480	0,5	140*4*6,5	5,5		6,83	41	119	
	0,30		0,9		6,0		13,67	82	103	
	0,40		1,2		6,2		18,17	109	103	



L	C	D	Ø
638,5	155,5	68	120*3-4-5*6,5
			140*3-4-5*6,5
			160*3-4-5*6,5

Askı Tipi 2:1 Ropping Type 2:1		Seyir Mesafesi 10 Metre Travel Distance 10 Meter		Statik Yük 4000 Kg Static Load 4000 Kg		IP 54 - İzolasyon Sınıfı F IP 54 - Isolation Class F			240St/h 240St/h	
Ürün Product	Hız Speed [m/s]	Kapasite Duty Load [kg]	Güç Power [kW]	Kasnak Sheave [mm]	Akım Current [A]	Kutup Poles	Frekans Frequency [Hz]	Devir Revolution [rpm]	Tork Torque [Nm]	Makine Ağırlığı Machine Weight [kg]
HS200	0,15	480	0,5	160*4*6,5	5,8	20	6,00	36	137	205
	0,30		0,9		6,4		12,00	72	118	
	0,40		1,2		6,5		15,83	95	118	
	0,15	630	0,7	120*5*6,5	6,9		8,00	48	134	
	0,30		1,2		7,5		15,83	95	116	
	0,40		1,5		7,7		21,17	127	116	
	0,15	630	0,7	140*5*6,5	7,2		6,83	41	157	
	0,30		1,2		7,9		13,67	82	135	
	0,40		1,5		8,1		18,17	109	135	
	0,15	630	0,7	160*5*6,5	7,6		6,00	36	179	
	0,30		1,2		8,4		12,00	72	155	
	0,40		1,5		8,5		15,83	95	155	

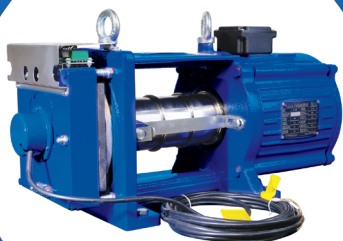
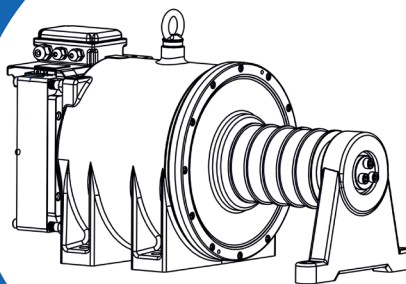
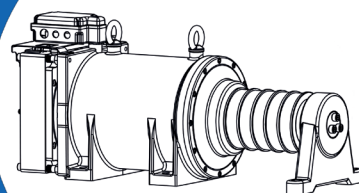
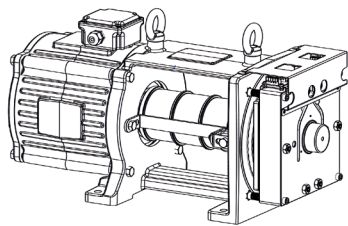
BELT GEARLESS MACHINES

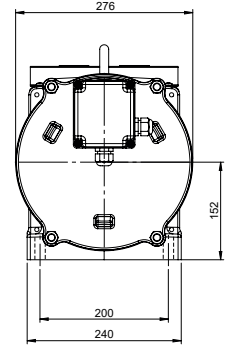
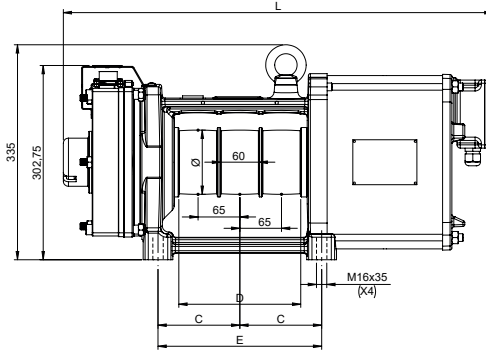


Speed: 0,30-2,50 m/s

Capacity: 250-2500 kg

Travel Distance: 33 meter

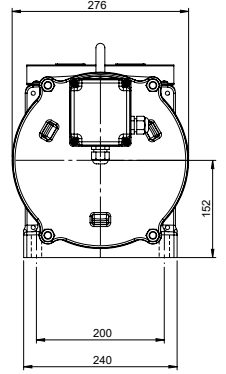
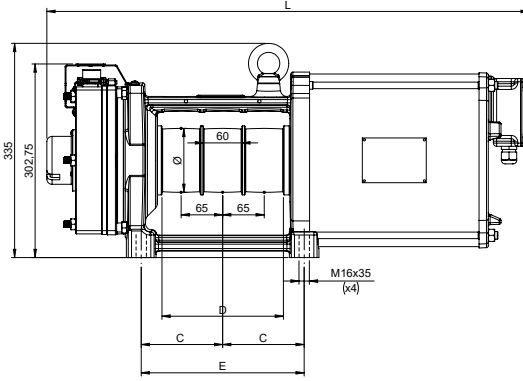
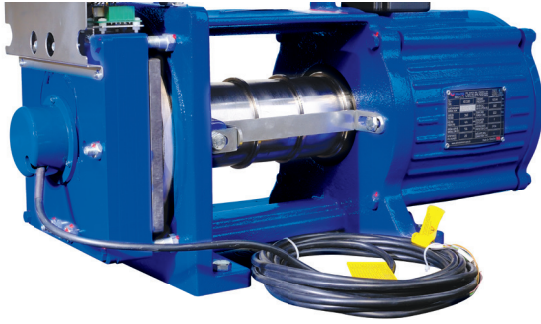




L	E	C	D	Ø
604,5	190	95	145	Ø100x2x30-65
799,5	385	192,5	300	Ø100x2x30-260
669,5	255	127,5	210	Ø100x3x30-65
604,5	190	95	145	Ø120x2x30-65
799,5	385	192,5	300	Ø120x2x30-260
604,5	190	95	145	Ø130x2x30-65
799,5	385	192,5	300	Ø130x2x30-260

Askı Tipi 2:1 Ropping Type 2:1		Seyir Mesafesi 33 Metre Travel Distance 33Meter		Statik Yük 3000 Kg Static Load 3000 Kg		IP 54 - İzolasyon Sınıfı F IP 54 - Isolation Class F			180St/h 180St/h	
Ürün Product	Hız Speed [m/s]	Kapasite Duty Load [kg]	Güç Power [kW]	Kasnak Sheave [mm]	Akım Current [A]	Kutup Poles	Frekans Frequency [Hz]	Devir Revolution [rpm]	Tork Torque [Nm]	Makine Ağırlığı Machine Weight [kg]
	0,30	320	0,7	100x2x30-65 100x2x30-260	2,7	20	19,10	115	60	110
	0,40		1,0		3,2		25,46	153		
	0,50		1,2		4,0		31,83	191		
	1,00		2,4		4,9		63,66	382		
	1,60		3,8		7,8		101,86	611		
	1,75		4,2		8,6		111,41	668		
	2,00		4,8		9,8		127,32	764		
	2,50		6,0		12,2		159,15	955		
	0,30	400	0,9	100x2x30-65 100x2x30-260	3,4		19,10	115	75	
	0,40		1,2		4,0		25,46	153		
	0,50		1,5		5,0		31,83	191		
	1,00		3,0		6,1		63,66	382		
	1,60		4,8		9,8		101,86	611		
	1,75		5,3		10,7		111,41	668		
	2,00		6,0		12,2		127,32	764		
	2,50		7,5		15,3		159,15	955		
	0,30	450	1,0	100x2x30-65 100x2x30-260	3,7		19,10	115	85	
	0,40		1,4		4,3		25,46	153		
	0,50		1,7		5,3		31,83	191		
	1,00		3,4		6,9		63,66	382		
	1,60		5,4		11,0		101,86	611		
	1,75		6,0		12,0		111,41	668		
	2,00		6,8		13,8		127,32	764		
	2,50		8,5		17,2		159,15	955		
	0,30	630	1,3	100x2x30-65 100x2x30-260 100x3x30-65	5,0	19,10	115	110		
	0,40		1,8		5,9	25,46	153			
	0,50		2,2		7,4	31,83	191			
	1,00		4,4		9,6	63,66	382			
	1,60		7,0		15,4	101,86	611			
	1,75		7,7		16,9	111,41	668			
	2,00		8,8		19,3	127,32	764			
	2,50		11,0		24,1	159,15	955			
	0,30	320	0,7	120x2x30-65 120x2x30-260	2,9	15,92	95	70		
	0,40		0,9		3,1	21,22	127			
	0,50		1,2		3,6	26,53	159			
	1,00		2,3		4,9	53,05	318			
	1,60		3,7		7,8	84,88	509			
	1,75		4,1		8,6	92,84	557			
	2,00		4,7		9,8	106,10	637			
	2,50		5,8		12,2	132,63	796			

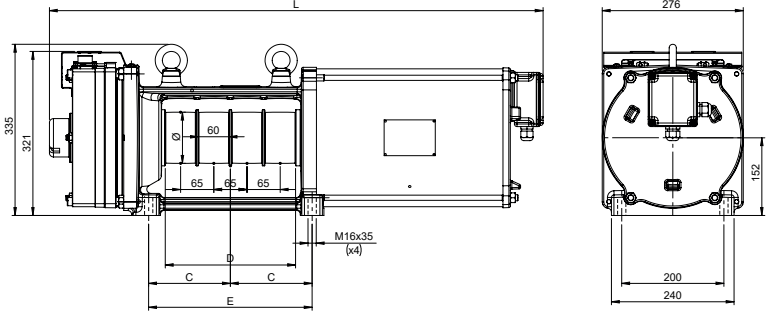
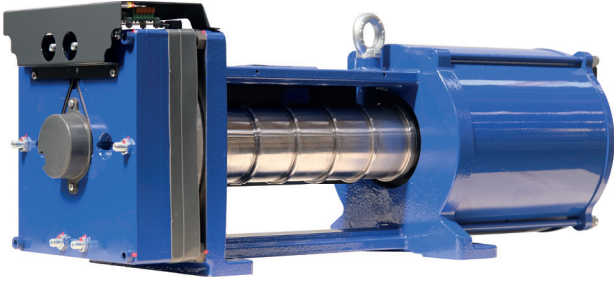
Askı Tipi 2:1		Seyir Mesafesi 33 Metre		Statik Yük 3000 Kg		IP 54 - İzolasyon Sınıfı F			180St/h	
Ropping Type 2:1		Travel Distance 33Meter		Static Load 3000 Kg		IP 54 - Isolation Class F			180St/h	
Ürün Product	Hız Speed [m/s]	Kapasite Duty Load [kg]	Güç Power [kW]	Kasnak Sheave [mm]	Akım Current [A]	Kutup Poles	Frekans Frequency [Hz]	Devir Revolution [rpm]	Tork Torque [Nm]	Makine Ağırlığı Machine Weight [kg]
KS100	0,30	400	0,9	120x2x30-65 120x2x30-260	3,6	20	15,92	95	85	110
	0,40		1,1		3,8		21,22	127		
	0,50		1,4		4,5		26,53	159		
	1,00		2,8		6,1		53,05	318		
	1,60		4,5		9,8		84,88	509		
	1,75		5,0		10,7		92,84	557		
	2,00		5,7		12,2		106,10	637		
	2,50		7,1		15,3		132,63	796		
	0,30		1,0		4,0		15,92	95		
	0,40		1,3		4,3		21,22	127		
	0,50	1,6	5,0	26,53	159					
	1,00	3,2	6,9	53,05	318					
	1,60	5,1	11,0	84,88	509					
	1,75	5,5	12,0	92,84	557					
	2,00	6,3	13,8	106,10	637					
	2,50	7,9	17,2	132,63	796					
	0,30	0,7	3,3	14,69	88					
	0,40	1,0	3,8	19,59	118					
	0,50	1,2	4,4	24,49	147					
	1,00	2,5	4,9	48,97	294					
	1,60	3,9	7,8	78,35	470					
	1,75	4,3	8,6	85,70	514					
	2,00	4,9	9,8	97,94	588					
	2,50	6,2	12,2	122,43	735					
	0,30	0,9	3,9	14,69	88					
	0,40	1,2	4,5	19,59	118					
	0,50	1,5	5,2	24,49	147					
	1,00	3,1	6,1	48,97	294					
	1,60	4,9	9,8	78,35	470					
	1,75	5,4	10,7	85,70	514					
	2,00	6,2	12,2	97,94	588					
	2,50	7,7	15,3	122,43	735					
	0,30	1,0	4,5	14,69	88					
	0,40	1,4	5,2	19,59	118					
	0,50	1,7	6,0	24,49	147					
	1,00	3,4	6,9	48,97	294					
	1,60	5,4	11,0	78,35	470					
	1,75	5,9	12,0	85,70	514					
	2,00	6,8	13,8	97,94	588					
	2,50	8,5	17,2	122,43	735					



L	E	C	D	Ø
754,5	255	127,5	220	Ø100x3x30-65
819,5	320	160	285	Ø100x4x30-65
884,5	385	192,5	350	Ø100x5x30-65
689,5	190	95	155	Ø120x2x30-65
884,5	385	192,5	350	Ø120x2x30-260
754,5	255	127,5	220	Ø120x3x30-65
819,5	320	160	285	Ø120x4x30-65
884,5	385	192,5	350	Ø120x5x30-65
689,5	190	95	155	Ø130x2x30-65
884,5	385	192,5	350	Ø130x2x30-260
754,5	255	127,5	220	Ø130x3x30-65
819,5	320	160	285	Ø130x4x30-65

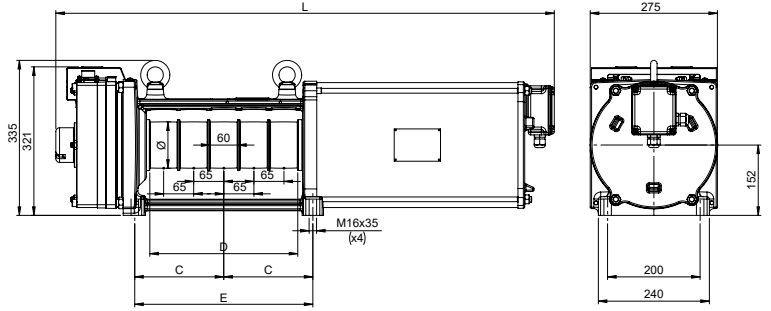
Askı Tipi 2:1 Ropping Type 2:1		Seyir Mesafesi 33 Metre Travel Distance 33Meter		Statik Yük 4000 Kg Static Load 4000 Kg		IP 54 - İzolasyon Sınıfı F IP 54 - Isolation Class F			180St/h 180St/h	
Ürün Product	Hız Speed [m/s]	Kapasite Duty Load [kg]	Güç Power [kW]	Kasnak Sheave [mm]	Akım Current [A]	Kutup Poles	Frekans Frequency [Hz]	Devir Revolution [rpm]	Tork Torque [Nm]	Makine Ağırlığı Machine Weight [kg]
KS200	0,30	800	1,6	100x3x30-65 100x4x30-65	6,0	20	19,10	115	130	
	0,40		2,1		6,9		25,46	153		
	0,50		2,6		8,7		31,83	191		
	1,00		5,2		12,2		63,66	382		
	1,60		8,3		19,6		101,86	611		
	1,75		9,1		21,4		111,41	668		
	2,00		10,4		24,5		127,32	764		
	2,50		13,0		30,6		159,15	955		
	0,30		1,9		7,3		19,10	115		
	0,40		2,6		8,6		25,46	153		
	0,50	3,2	10,7	31,83	191					
	1,00	6,4	15,3	63,66	382					
	1,60	10,2	24,5	101,86	611					
	1,75	11,2	26,8	111,41	668					
	2,00	12,8	30,6	127,32	764					
	2,50	16,0	38,2	159,15	955					
	0,30	2,5	9,4	19,10	115					
	0,40	3,3	11,0	25,46	153					
	0,50	4,1	13,7	31,83	191					
	1,00	8,2	19,1	63,66	382					
	1,60	13,1	30,6	101,86	611					
	1,75	14,4	33,4	111,41	668					
	2,00	16,4	38,2	127,32	764					
	2,50	20,5	47,8	159,15	955					
	0,30	2,6	10,1	19,10	115					
	0,40	3,5	11,8	25,46	153					
	0,50	4,4	14,7	31,83	191					
	1,00	8,8	20,6	63,66	382					
	1,60	14,1	33,0	101,86	611					
	1,75	15,4	36,1	111,41	668					
2,00	17,6	41,3	127,32	764						
2,50	22,0	51,6	159,15	955						
0,30	1,3	5,6	15,92	95						
0,40	1,7	5,9	21,22	127						
0,50	2,1	7,0	26,53	159						
1,00	4,2	9,6	53,05	318						
1,60	6,7	15,4	84,88	509						
1,75	7,3	16,9	92,84	557						
2,00	8,3	19,3	106,10	637						
2,50	10,4	24,1	132,63	796						

Askı Tipi 2:1		Seyir Mesafesi 33 Metre		Statik Yük 4000 Kg		IP 54 - İzolasyon Sınıfı F			180St/h	
Ropping Type 2:1		Travel Distance 33Meter		Static Load 4000 Kg		IP 54 - Isolation Class F			180St/h	
Ürün Product	Hız Speed [m/s]	Kapasite Duty Load [kg]	Güç Power [kW]	Kasnak Sheave [mm]	Akım Current [A]	Kutup Poles	Frekans Frequency [Hz]	Devir Revolution [rpm]	Tork Torque [Nm]	Makine Ağırlığı Machine Weight [kg]
KS 200	0,30	800	1,6	120x3x30-65 120x4x30-65	6,9	20	15,92	95	155	
	0,40		2,1		7,4		21,22	127		
	0,50		2,6		8,6		26,53	159		
	1,00		5,2		12,2		53,05	318		
	1,60		8,3		19,6		84,88	509		
	1,75		9,0		21,4		92,84	557		
	2,00		10,3		24,5		106,10	637		
	2,50		12,9		30,6		132,63	796		
	0,30	1000	2,0	120x3x30-65 120x4x30-65	8,7		15,92	95	195	
	0,40		2,6		9,3		21,22	127		
	0,50		3,3		10,9		26,53	159		
	1,00		6,5		15,3		53,05	318		
	1,60		10,4		24,5		84,88	509		
	1,75		11,4		26,8		92,84	557		
	2,00		13,0		30,6		106,10	637		
	2,50		16,3		38,2		132,63	796		
	0,30	1250	2,5	120x4x30-65 120x5x30-65	10,9		15,92	95	245	
	0,40		3,3		11,6		21,22	127		
	0,50		4,1		13,6		26,53	159		
	1,00		8,2		19,1		53,05	318		
	1,60		13,1		30,6		84,88	509		
	1,75		14,3		33,4		92,84	557		
	2,00		16,3		38,2		106,10	637		
	2,50		20,4		47,8		132,63	796		
	0,30	630	1,2	130x2x30-65 130x2x30-260 130x3x30-65	5,6		14,69	88	135	
	0,40		1,7		6,3		19,59	118		
	0,50		2,1		7,4		24,49	147		
	1,00		4,2		9,6		48,97	294		
	1,60		6,6		15,4		78,35	470		
	1,75		7,3		16,9		85,70	514		
	2,00		8,3		19,3		97,94	588		
	2,50		10,4		24,1		122,43	735		
	0,30	800	1,6	130x3x30-65 130x4x30-65	7,0		14,69	88	170	
	0,40		2,1		8,0		19,59	118		
	0,50		2,6		9,3		24,49	147		
	1,00		5,2		12,2		48,97	294		
	1,60		8,4		19,6		78,35	470		
	1,75		9,2		21,4		85,70	514		
	2,00		10,5		24,5		97,94	588		
	2,50		13,1		30,6		122,43	735		
	0,30	1000	1,9	130x3x30-65 130x4x30-65	8,6		14,69	88	210	
	0,40		2,6		9,9		19,59	118		
	0,50		3,2		11,5		24,49	147		
	1,00		6,5		15,3		48,97	294		
	1,60		10,3		24,5		78,35	470		
	1,75		11,3		26,8		85,70	514		
	2,00		12,9		30,6		97,94	588		
	2,50		16,2		38,2		122,43	735		



L	E	C	D	Ø
1032,5	385	192,5	340	Ø100x5x30-65
967,5	320	160	275	Ø120x4x30-65
1032,5	385	192,5	340	Ø120x5x30-65
967,5	320	160	275	Ø130x4x30-65
1032,5	385	192,5	340	Ø130x5x30-65

Askı Tipi 2:1 Ropping Type 2:1		Seyir Mesafesi 33 Metre Travel Distance 33Meter		Statik Yük 5000 Kg Static Load 5000 Kg		IP 54 - İzolasyon Sınıfı F IP 54 - Isolation Class F			180St/h 180St/h									
Ürün Product	Hız Speed [m/s]	Kapasite Duty Load [kg]	Güç Power [kW]	Kasnak Sheave [mm]	Akım Current [A]	Kutup Poles	Frekans Frequency [Hz]	Devir Revolution [rpm]	Tork Torque [Nm]	Makine Ağırlığı Machine Weight [kg]								
KS300	0,30	1600	3,1	100x5x30-65	11,9	20	19,10	115	260									
	0,40		4,2		13,9		25,46	153										
	0,50		5,2		17,4		31,83	191										
	1,00		10,4		24,5		63,66	382										
	1,60		16,6		39,1		101,86	611										
	1,75		18,2		42,8		111,41	668										
	2,00		20,8		48,9		127,32	764										
	2,50		26,0		61,1		159,15	955										
	0,30		3,9		2000		14,9	100x5x30-65			19,10	20	115	325				
	0,40		5,2				17,4				25,46		153					
	0,50		6,5				21,7				31,83		191					
	1,00		13,0				30,6				63,66		382					
	1,60	20,8	48,9	101,86			611											
	1,75	22,8	53,5	111,41			668											
	2,00	26,0	61,1	127,32			764											
	2,50	32,5	76,4	159,15			955											
	0,30	2,7	1350	11,8			120x4x30-65 120x5x30-65		15,92		20		95		265			
	0,40	3,5		12,6					21,22				127					
	0,50	4,4		14,8					26,53				159					
	1,00	8,8		20,6					53,05				318					
	1,60	14,1		33,0	84,88			509										
	1,75	15,5		36,1	92,84			557										
	2,00	17,7		41,3	106,10			637										
	2,50	22,1		51,6	132,63			796										
	0,30	3,1		1600	13,8			120x5x30-65	15,92				20	95		310		
	0,40	4,1			14,7				21,22					127				
	0,50	5,2			17,3				26,53					159				
	1,00	10,3			24,5				53,05					318				
	1,60	16,5	39,1		84,88		509											
	1,75	18,1	42,8		92,84		557											
	2,00	20,7	48,9		106,10		637											
	2,50	25,8	61,1		132,63		796											
	0,30	2,4	1250		10,9		130x4x30-65 130x5x30-65		14,69					20	88		265	
	0,40	3,3			12,5				19,59						118			
	0,50	4,1			14,5				24,49						147			
	1,00	8,2			19,1				48,97						294			
	1,60	13,0		30,6	78,35			470										
	1,75	14,3		33,4	85,70			514										
	2,00	16,3		38,2	97,94			588										
	2,50	20,4		47,8	122,43			735										
	0,30	2,6		1350	11,7			130x4x30-65 130x5x30-65	14,69						20	88		285
	0,40	3,5			13,4				19,59							118		
	0,50	4,4			15,6				24,49							147		
	1,00	8,8			20,6				48,97							294		
	1,60	14,0	33,0		78,35		470											
	1,75	15,4	36,1		85,70		514											
	2,00	17,6	41,3		97,94		588											
	2,50	21,9	51,6		122,43		735											
0,30	3,1	1600	14,0		130x5x30-65	14,69	20		88	340								
0,40	4,2		16,0			19,59			118									
0,50	5,2		18,6			24,49			147									
1,00	10,5		24,5			48,97			294									
1,60	16,7		39,1	78,35		470												
1,75	18,3		42,8	85,70		514												
2,00	20,9		48,9	97,94		588												
2,50	26,2		61,1	122,43		735												



L	E	C	D	Ø
1167,5	450	225	360	Ø100x6x30-65
2117,5	1400	700	1120	Ø100x6x30-260
1102,5	385	192,5	340	Ø120x5x30-65
1167,5	450	225	360	Ø120x6x30-65
2117,5	1400	700	1120	Ø120x6x30-260
1102,5	385	192,5	340	Ø130x5x30-65

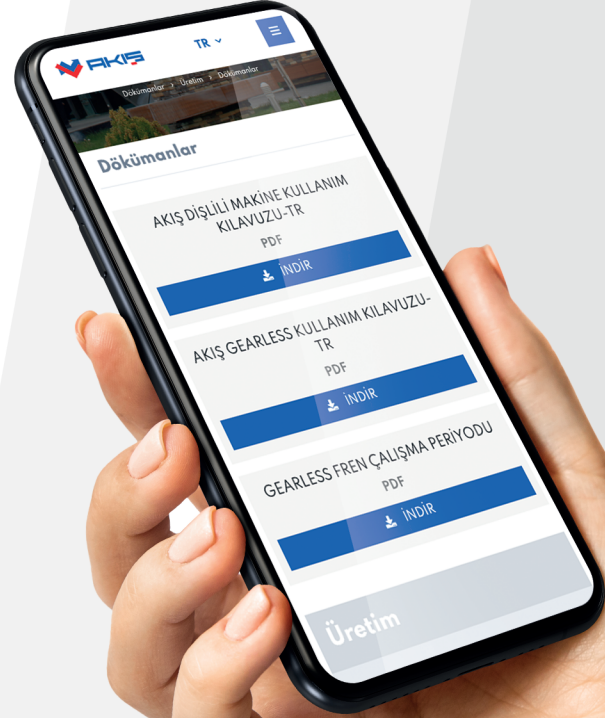
Askı Tipi 2:1 Ropping Type 2:1		Seyir Mesafesi 33 Metre Travel Distance 33 Meter		Statik Yük 7000 Kg Static Load 7000 Kg		IP 54 - İzolasyon Sınıfı F IP 54 - Isolation Class F			180St/h 180St/h	
Ürün Product	Hız Speed [m/s]	Kapasite Duty Load [kg]	Güç Power [kW]	Kasnak Sheave [mm]	Akım Current [A]	Kutup Poles	Frekans Frequency [Hz]	Devir Revolution [rpm]	Tork Torque [Nm]	Makine Ağırlığı Machine Weight [kg]
KS400	0,30	2500	4,9	100x6x30-65 100x6x30-260	18,6	20,00	19,10	115	405	
	0,40		6,5		21,7		25,46	153		
	0,50		8,1		27,1		31,83	191		
	1,00		16,2		38,2		63,66	382		
	1,60		25,9		61,1		101,86	611		
	1,75		28,4		66,9		111,41	668		
	2,00		32,4		76,4		127,32	764		
	2,50		40,5		95,5		159,15	955		
	0,30	2000	3,9	120x5x30-65	17,4		15,92	95	390	
	0,40		5,2		18,5		21,22	127		
	0,50		6,5		21,7		26,53	159		
	1,00		13,0		30,6		53,05	318		
	1,60		20,8		48,9		84,88	509		
	1,75		22,8		53,5		92,84	557		
	2,00		26,0		61,1		106,10	637		
	2,50		32,5		76,4		132,63	796		
	0,30	2500	4,9	120x6x30-65 120x6x30-260	21,8		15,92	95	490	
	0,40		6,5		23,3		21,22	127		
	0,50		8,2		27,3		26,53	159		
	1,00		16,3		38,2		53,05	318		
	1,60		26,1		61,1		84,88	509		
	1,75		28,6		66,9		92,84	557		
	2,00		32,7		76,4		106,10	637		
	2,50		40,8		95,5		132,63	796		
	0,30	2000	3,9	130x5x30-65	17,5		14,69	88	425	
	0,40		5,2		20,0		19,59	118		
	0,50		6,5		23,3		24,49	147		
	1,00		13,1		30,6		48,97	294		
	1,60		20,9		48,9		78,35	470		
	1,75		22,9		53,5		85,70	514		
	2,00		26,2		61,1		97,94	588		
	2,50		32,7		76,4		122,43	735		



**KULLANMA
KILAVUZUMUZA
KAREKODU
OKUTARAK
ULAŞABİLİRSİNİZ!**

**YOU CAN
ACCESS THE
USER MANUAL
BY SCANNING
THE QR CODE.**

WWW.AKİSANSOR.COM.TR





OSB, Kayacık Mah. Ziyaeddin Cad. 6. Sok. No:2
42300 Selçuklu/KONYA/TÜRKİYE

Tel: +90 332 239 07 29 - Fax: +90 332 239 07 59

info@akisasansor.com.tr - www.akisasansor.com.tr

